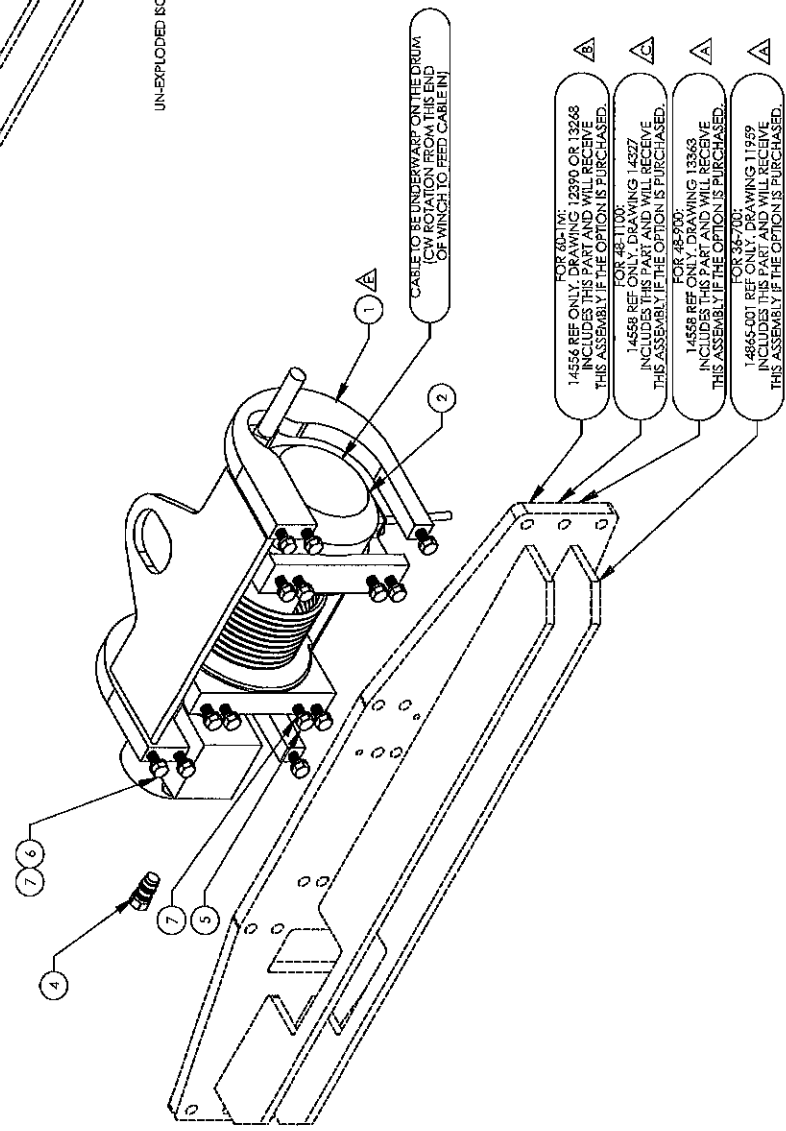
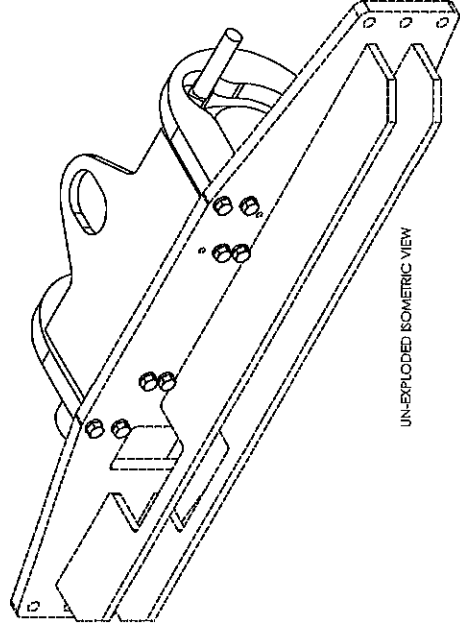
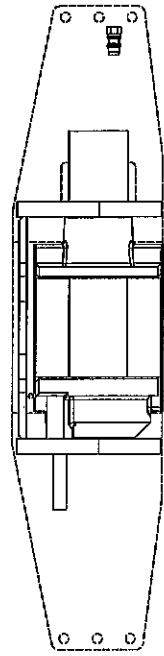


THE DRAWING AND ALL INFORMATION THEREIN, FOR WHICH THERE MAY BE PATENT APPLICATIONS, IS THE PROPERTY OF BARBARCO INC. AND IS TO BE USED ONLY BY THE USER TO WHOM IT IS ISSUED. NO PARTS, MATERIALS, OR INFORMATION IS TO BE REPRODUCED OR DISCLOSED TO OUTSIDE PARTIES, AND ONLY MAY BE USED WITHIN THE DRAWING NOT TO BE PUBLICALLY AVAILABLE MAY BE USED EXCEPT WITH WRITTEN PERMISSION, AND ALL COPIES SHALL BE RETURNED UPON REQUEST.

REVISIONS				
REV.	DESCRIPTION	DATE	APPROVED	
A	UPDATED KIT NOTES	5/18/2016	BAB	
B	ADDED 60-1M KIT NOTES	10/6/2016	BAB	
C	ADDED 48-1100 KIT NOTES	4/14/2017	BAB	
D	ADDED 90280-001 & 90282-004	7/26/2018	DWN/NEG	
E	REMOVED 14955-02 FROM ASSEMBLY, REVISED 14955-01	2/25/2020	DWN	



ITEM NO.	PART NUMBER	DESCRIPTION	QTY.
7	90282-004	LOCK WASHER, 1/2" REG. ZP	14
6	90280-007	HEX HEAD SCREW, 1/2-13UNC, 2" LG., GR8	6
5	90280-001	HEX HEAD SCREW, 1/2-13UNC, 1 1/2" LG., GR8	8
4	14628	WINCH VALVE BLOCK PLUG	1
3	13987	WINCH CABLE, 3/8" x 55' LONG WITH HOOK (NOT SHOWN)	1
2	14404	HYDRAULIC WINCH	1
1	14955-01	WINCH MOUNT	1

UNLESS OTHERWISE SPECIFIED, DIMENSIONS ARE IN INCHES

APPROVALS: DRAWN: MSW DATE: 2/27/15
CHECKED: - -

± 1/32" XX ± .030 ± .5"
± .005" XXX ± .005

SEE BILL OF MATERIALS

DATE: 2/27/15

BARBARCO Inc.
Manufacturing, Material Form, Assembly
United States of America - Des Moines, Iowa
Tel: 515-281-4700 Fax: 515-281-4700

WINCH KIT ASSEMBLY
PIPE RACK
38-700, 48-900, 60-1M

14955

DO NOT SCALE DRAWING

SCALE: 1:1

DATE: 2/27/15

BY: [Signature]

CHKD: [Signature]

APP'D: [Signature]

DRWING NO: 14955

DATE: 2/27/15

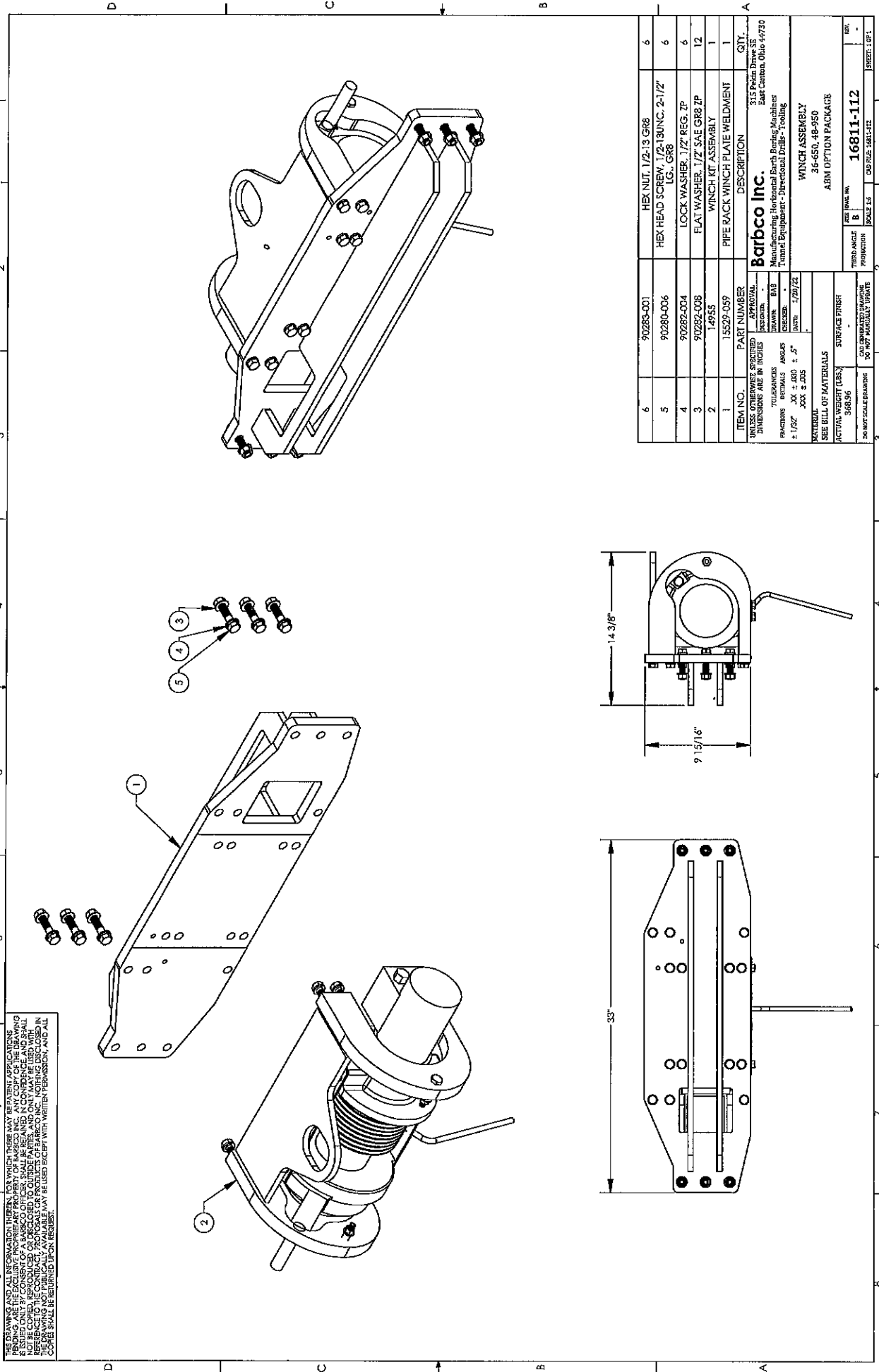
SCALE: 1:1

BY: [Signature]

CHKD: [Signature]

APP'D: [Signature]

THIS DRAWING AND ALL INFORMATION THEREON, FOR WHICH THERE MAY BE PATENT APPLICATIONS, IS THE PROPERTY OF BARBOCO INC. AND IS LOANED TO YOU FOR YOUR INFORMATION ONLY. IT IS NOT TO BE REPRODUCED, COPIED, REPRODUCED OR DISCLOSED TO OUTSIDE PARTIES, AND ONLY MAY BE USED WITHIN THE ORGANIZATION FOR WHICH IT IS LOANED. ANY UNAUTHORIZED REPRODUCTION OR USE OF THIS DRAWING OR INFORMATION THEREON IS STRICTLY PROHIBITED. ANY UNAUTHORIZED REPRODUCTION OR USE OF THIS DRAWING OR INFORMATION THEREON SHALL BE AT THE USER'S SOLE RISK AND WITHOUT LIABILITY TO BARBOCO INC. ALL COPIES SHALL BE RETURNED UPON REQUEST.



ITEM NO.	QTY.	PART NUMBER	DESCRIPTION
6	6	90283-001	HEX NUT, 1/2-13 GR8
5	6	90280-006	HEX HEAD SCREW, 1/2-13 UNC, 2-1/2" LG, GR8
4	6	90282-004	LOCK WASHER, 1/2" REG. ZP
3	12	90282-008	FLAT WASHER, 1/2" SAE GR8 ZP
2	1	14955	WINCH KIT ASSEMBLY
1	1	15029-059	PIPE RACK WINCH PLATE WELDMENT

APPROVAL:	DATE:
DESIGNED BY:	DATE:
DRAWN BY:	DATE:
CHECKED BY:	DATE:
TELEPHONE:	DATE:
FAX:	DATE:
EMAIL:	DATE:
ADDRESS:	DATE:
SEE BILL OF MATERIALS	
MATERIAL:	
ACTUAL WEIGHT (LBS.):	
SURFACE FINISH:	
FINISH SCALE DRAWING:	
DO NOT MANUALLY UPDATE	

Barbco Inc.	
315 Park Drive SE	
Cincinnati, Ohio 45230	
Manufacturing Horizontal Earth Boring Machines	
Tunnel Equipment - Directional Drilling - Tooling	
WINCH ASSEMBLY	
36-650, 48-950	
ARM OPTION PACKAGE	
SIZE	SCALE
B	1:1
DATE	16811-112
REV.	1 OF 1