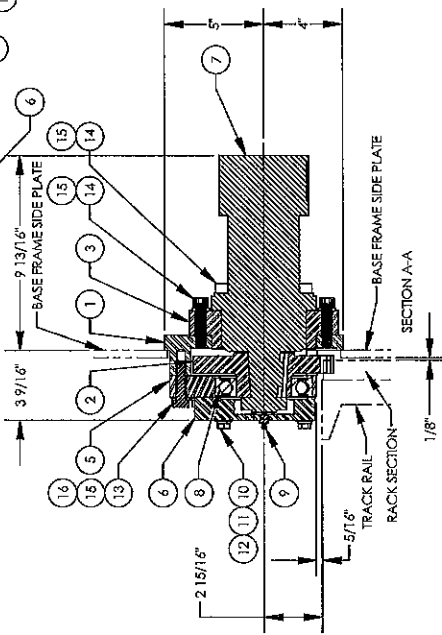
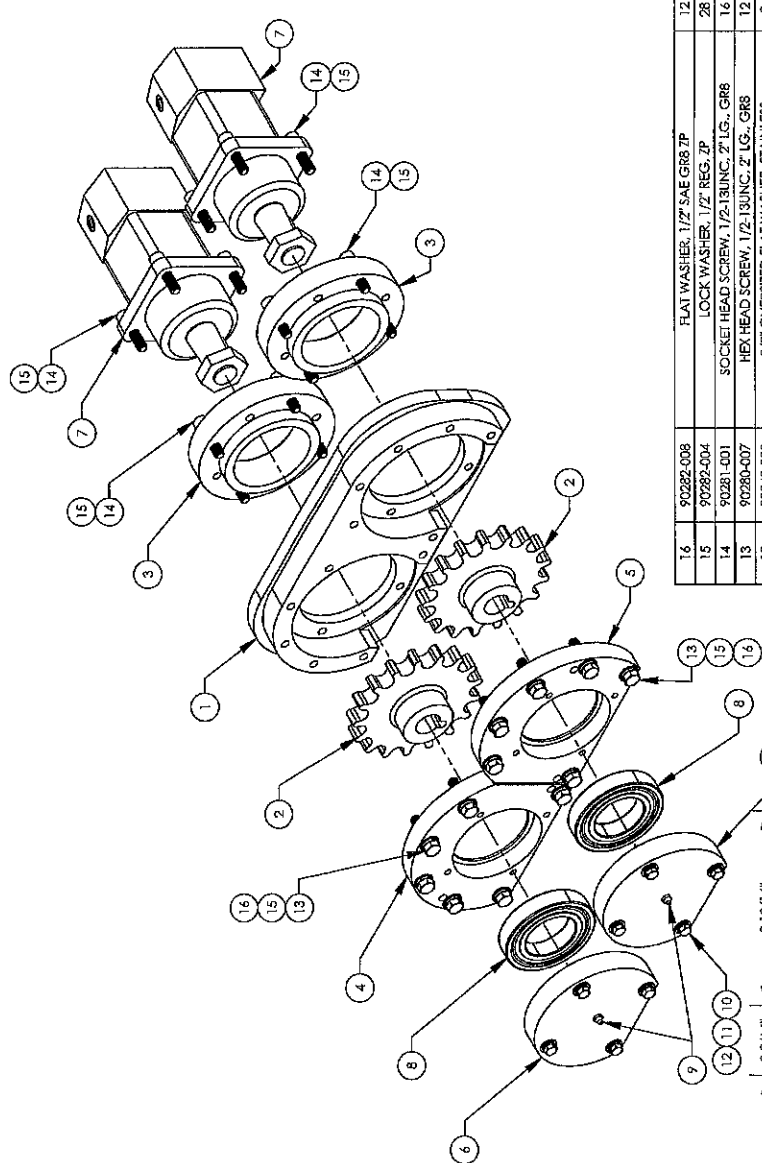
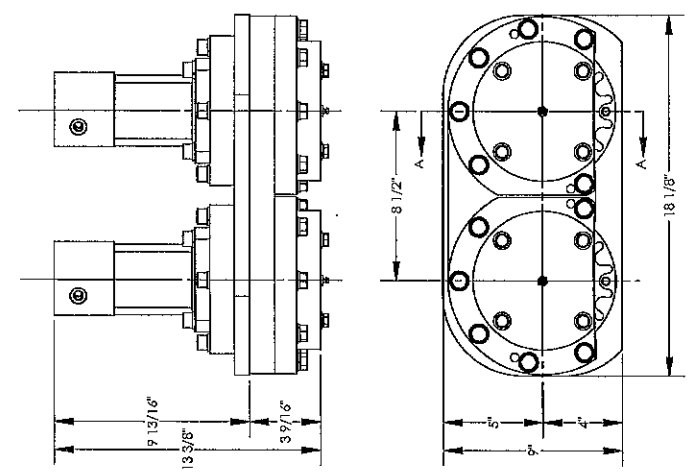
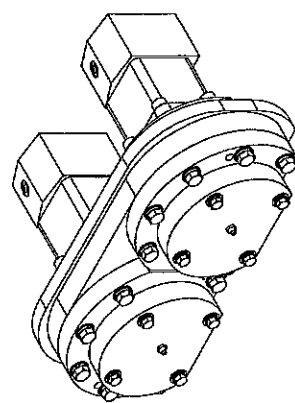


THE DRAWING AND ALL INFORMATION THEREIN, FOR WHICH THERE MAY BE PATENT APPLICATIONS, IS UNCLASSIFIED AND IS BEING RELEASED TO THE PUBLIC. THIS INFORMATION IS BEING RELEASED AS A MATTER OF COURSE AND IS NOT TO BE REPRODUCED OR DISCLOSED TO OTHER PARTIES AND ONLY MAY BE USED WITH THE EXPRESS WRITTEN PERMISSION OF BARBARCO INC. THE DRAWING NOT PUBLICLY AVAILABLE MAY BE USED EXCEPT WITH WRITTEN PERMISSION AND ALL RIGHTS SHALL BE RETURNED UPON REQUEST.



ITEM NO.	PART NUMBER	DESCRIPTION	QTY.
16	90282-008	FLAT WASHER, 1/2" SAE GR8 ZP	12
15	90282-004	LOCK WASHER, 1/2" REG. ZP	28
14	90281-001	SOCKET HEAD SCREW, 1/2-13UNC, 2" LG., GR8	16
13	90280-007	HEX HEAD SCREW, 1/2-13UNC, 2" LG., GR8	12
12	90242-003	3/8" OVERSIZED FLAT WASHER, STAINLESS	8
11	90242-001	LOCK WASHER, 3/8" REG. ZP	8
10	90240-004	HEX HEAD SCREW, 3/8-16UNC, 1 3/4" LG., GR8	8
9	90189-003	1/8" GREASE FITTING (ZERK) STRAIGHT	2
8	90749-019	DEEP GROOVE ROLLER BEARING, SHIELDED, 6214-2Z	2
7	7100104	HYDRAULIC MOTOR CHARLYNN 4000 SERIES	2
6	16812-3014	RIS BEARING END CAP	2
5	16812-3013	RIS RIGHT BEARING MOUNT PLATE	1
4	16812-3012	RIS LEFT BEARING MOUNT PLATE	1
3	16812-3011	RIS MOTOR MOUNT PLATE	2
2	16812-3010	RIS CHAIN DRIVE SPROCKET, 17 TOOTH	2
1	16812-3015	RIS BASE FRAME MOUNT WELD PLATE	1

Barbarco Inc.
 315 Polk Drive SE
 Manufacturing Horizontal Bore Boring Machines
 Turner Equipment - Directional Drills - Tooling

APPROVAL: [Signature]
 DESIGNED: DWN
 DRAWN: DWN
 CHECKED: DWN
 DATE: 02/25/02

UNLESS OTHERWISE SPECIFIED
 DIMENSIONS ARE IN INCHES
 TOLERANCES UNLESS INDICATED
 FINISHES UNLESS INDICATED
 ± 1/32" XXX ± .5"
 ± .005 XXX ± .005

REVISIONS
 SEE BOM

ACTUAL WEIGHT (LBS) 217
 SURFACE FINISH
 CS SURFACE FINISH
 DO NOT MANUALLY PRINT

SCALE 1:1
 PART NO. **16812-054**
 CO-FILE 16812-054

RTS DRIVE ASSEMBLY, 17 TOOTH FINION