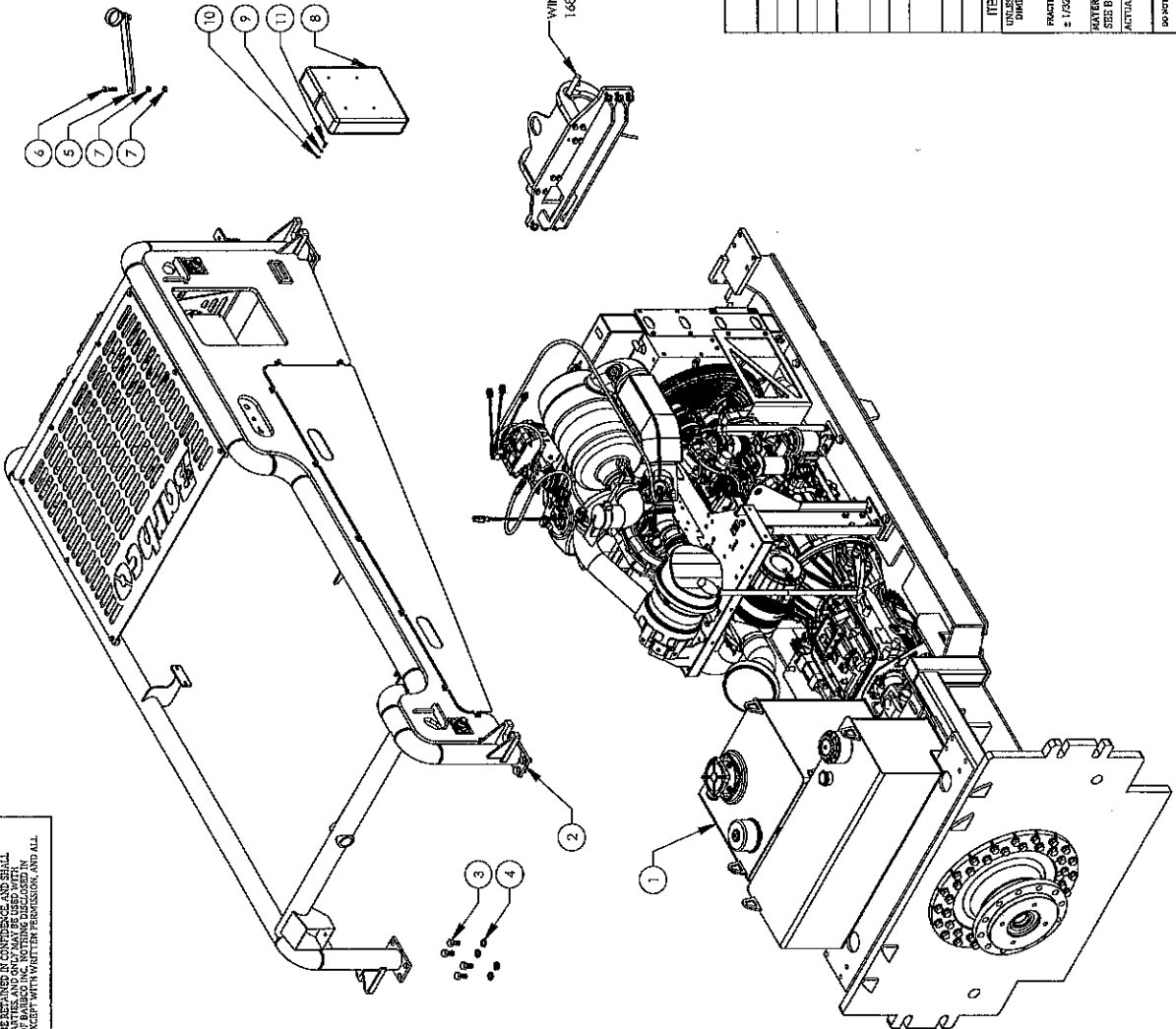


THIS DRAWING AND ALL INFORMATION THEREIN, FOR WHICH THERE MAY BE PATENT APPLICATIONS, IS UNCLASSIFIED AND IS THE PROPERTY OF BARBARCO INC. IT IS TO BE USED ONLY BY THE OFFICE OF THE BARBARCO OFFICE. IT IS TO BE KEPT IN CONFIDENTIAL AND SHALL NOT BE COPIED, REPRODUCED OR DISCLOSED TO OTHERS PARTIAL AND ONLY MAY BE USED WITH THE WRITTEN PERMISSION OF BARBARCO INC. THIS DRAWING NOT BE LOCALLY AVAILABLE & MAY BE USED EXCEPT WITH WRITTEN PERMISSION AND ALL COPIES SHALL BE RETURNED UPON REQUEST.



| ITEM NO. | PART NUMBER | DESCRIPTION | QTY. |
|----------|-------------|---|------|
| 11 | 90200-001 | HEX HEAD SCREW, 1/4-20UNC, 3/4" LG., GR8 | 4 |
| 10 | 90202-003 | FLAT WASHER, 1/4" SAE GR8 ZP | 4 |
| 9 | 90202-002 | LOCK WASHER, 1/4" GEN. PURPOSE, ZP | 4 |
| 8 | 7920034 | MANUAL PAK | 1 |
| 7 | 90283-001 | HEX NUT, 1/2-13, GR8 | 2 |
| 6 | 90280-003 | HEX HEAD SCREW, 1/2-13UNC, 2-1/4" LG., GR8 | 1 |
| 5 | 1020024 | HOSE SUPPORT WELDMENT/ASSY | 1 |
| 4 | 90342-001 | LOCK WASHER, 3/4" REG | 16 |
| 3 | 90340-011 | HEX HEAD SCREW, 3/4-10UNC, 1 1/2" LG., GR8 ZP | 16 |
| 2 | 14812-042 | 48-950 PIPE RACK ASSEMBLY | 1 |
| 1 | 16812-041 | 48-950 SUB FRAME ASSEMBLY | 1 |

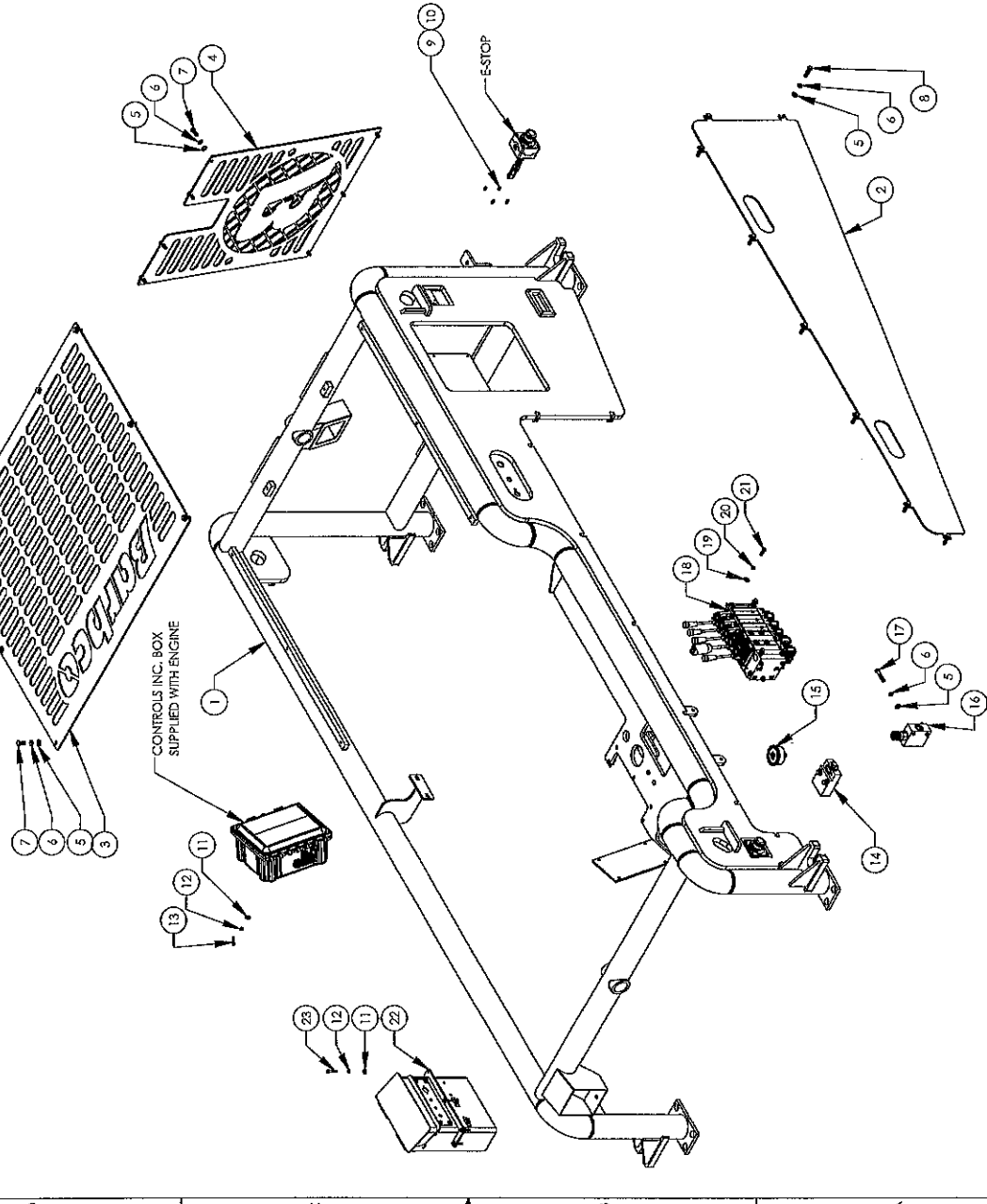
Barbarco Inc.
 315 Robin Drive SE
 Manufacturing Horizontal Barbed Wire Spinning Machines
 Tullahoma Equipment - Direct Sales - Tooling
 East Canton, Ohio 44720

48-950 POWER PACK ASSEMBLY
 GEN 3, 48-950 ABM, T4

THIRD ANGLE PROJECTION
 SCALE: 1:1
 DRAWING NO. **16812-040**
 SHEET 1 OF 1

UNLESS OTHERWISE SPECIFIED:
 DIMENSIONS ARE IN INCHES
 TOLERANCES UNLESS OTHERWISE SPECIFIED:
 FRACTIONS DECIMALS ANGLES
 ± 1/32" ± .005" ± .5°
 FINISHES: XXX ± .005" 377Z
 MATERIALS: SEE BILL OF MATERIALS
 SURFACE FINISH: 646286
 ALL DIMENSIONS UNLESS OTHERWISE SPECIFIED
 DO NOT MANUALLY REWRITE

THIS DRAWING AND ALL INFORMATION THEREIN, FOR WHICH THERE MAY BE PATENT APPLICATIONS, IS UNCLASSIFIED AND IS BEING RELEASED TO THE PUBLIC. THIS DRAWING IS THE PROPERTY OF BARBARCO INC. AND IS TO BE USED ONLY FOR THE PURPOSES SPECIFIED HEREIN. IT IS TO BE KEPT IN CONFIDENCE AND NOT TO BE REPRODUCED, COPIED, OR DISCLOSED TO OTHERS WITHOUT THE WRITTEN PERMISSION OF BARBARCO INC. THIS DRAWING IS NOT TO BE USED FOR ANY OTHER PURPOSES WITHOUT THE WRITTEN PERMISSION OF BARBARCO INC. THIS DRAWING IS NOT TO BE REPRODUCED, COPIED, OR DISCLOSED TO OTHERS WITHOUT THE WRITTEN PERMISSION OF BARBARCO INC. THIS DRAWING IS NOT TO BE USED FOR ANY OTHER PURPOSES WITHOUT THE WRITTEN PERMISSION OF BARBARCO INC.

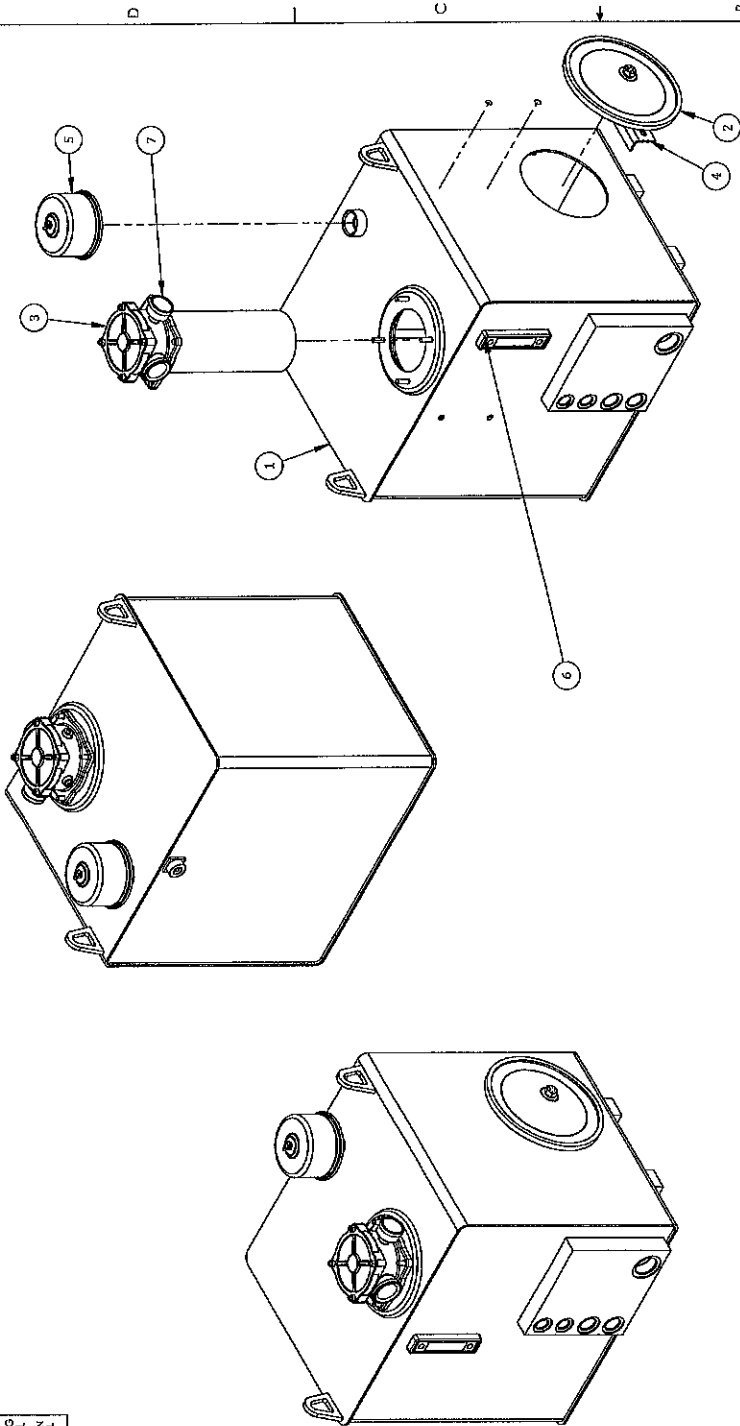
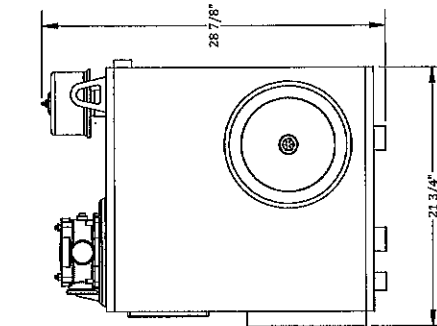
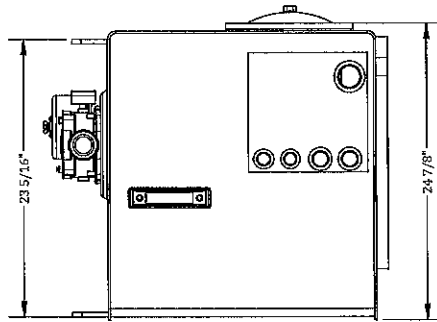
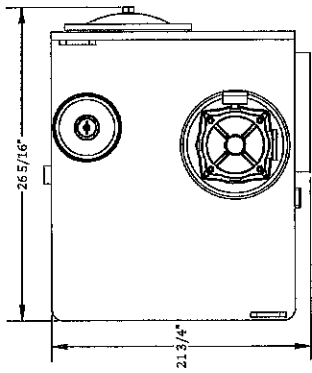


| ITEM NO. | PART NUMBER | DESCRIPTION | QTY. |
|----------|-------------|--|------|
| 23 | 90200-002 | HEX HEAD SCREW, 1/4-20UNC, 1 1/2" LG., GR8 | 5 |
| 22 | 16811-072 | CONTROL ENCLOSURE ASSEMBLY | 1 |
| 21 | 90220-001 | HEX HEAD SCREW, 5/16-18UNC, 1" LG., GR8 | 4 |
| 20 | 90222-001 | LOCK WASHER, 5/16" GEN. PURPOSE, ZP | 4 |
| 19 | 90222-002 | 5/16" FLAT WASHER | 4 |
| 18 | 16900-2005 | DIR. CONTROL VALVE ASSY. - 36-650 THRU 72-1200 | 1 |
| 17 | 90240-003 | HEX HEAD SCREW, 3/8-16UNC, 2" LG., GR8 | 2 |
| 16 | 16888 | PRESSURE LIMITER VALVE | 1 |
| 15 | 157054-100 | DIAL GAUGE | 1 |
| 14 | 15529-069 | THRUST HANDLE LIMITER ASSEMBLY | 1 |
| 13 | 90200-004 | HEX HEAD SCREW, 1/4-20UNC, 1" LG., GR8 | 4 |
| 12 | 90202-002 | LOCK WASHER, 1/4" GEN. PURPOSE, ZP | 9 |
| 11 | 90202-001 | FLAT WASHER, 1/4" GEN. PURPOSE, GR8 | 9 |
| 10 | 90043-004 | HEX LOCKNUT, #6-32 | 8 |
| 9 | 90047-002 | PAN HEAD SCREW, #6-32 X 1/2" | 8 |
| 8 | 90240-002 | HEX HEAD SCREW, 3/8-16UNC, 1 1/2" LG., GR8 | 8 |
| 7 | 90240-001 | HEX HEAD SCREW, 3/8-16UNC, 1" LG., GR8 | 15 |
| 6 | 90242-001 | LOCK WASHER, 3/8" REG. ZP | 25 |
| 5 | 90242-002 | FLAT WASHER, 3/8" USS GR8 ZP | 25 |
| 4 | 16812-283 | BACK COVER PLATE | 1 |
| 3 | 16812-282 | TOP COVER PLATE | 1 |
| 2 | 16812-280 | SIDE COVER SHIELD | 1 |
| 1 | 16812-066 | 48-950 PIPE RACK WELDMENT | 1 |

Barbarco Inc
 315 Palm Drive SE
 East Canton, Ohio 44720
 Naval Facilities - Dimensional Drafting - Tooling
 48-950 PIPE RACK ASSEMBLY
 GEN 3, 48-950 ABM, T4

DATE: 16812-042
 TUBS/WELD: B
 SCALE: 1:1
 SHEET: 1 OF 1

THIS DRAWING AND ALL INFORMATION THEREIN, FOR WHICH THESE MAY BE PATENT APPLICATIONS, IS ISSUED ONLY BY CONSENT OF A BARBICO OFFICER. NO PART OF THIS DRAWING OR INFORMATION CONTAINED HEREIN IS TO BE REPRODUCED, COPIED, REPRODUCED OR DISCLOSED TO OUTSIDE PARTIES, AND ONLY MAY BE USED WITHIN THE DRAWING NOT PHYSICALLY AVAILABLE. MAY BE USED EXCEPT WITH WRITTEN PERMISSION, AND ALL COPIES SHALL BE RETURNED UPON REQUEST.



| | | | |
|--|---------------------------|---|------------|
| 10 | 90200-020 | HEX HEAD SCREW, 1/4"-20UNC, 1/2" LG., GR8 | 1 |
| 9 | 90202-001 | FLAT WASHER, 1/4" GEN. PURPOSE GR8 ZP | 1 |
| 8 | 16850 | BUMPER | 1 |
| 7 | 7190001 | FILTER INDICATOR GAUGE | 1 |
| 6 | 7190002 | SIGHT GAUGE | 1 |
| 5 | 7140034 | FILTER HYDRAULIC | 1 |
| 4 | 7130066 | CLEANOUT COVER MOUNT | 1 |
| 3 | 7120021 | HYDRAULIC TANK RETURN FILTER | 1 |
| 2 | 14451 | ACCESS COVER ASSEMBLY | 1 |
| 1 | 16811-062 | HYDRAULIC RESERVOIR WELDMENT | 1 |
| ITEM NO. | PART NUMBER | DESCRIPTION | QTY. |
| UNLESS OTHERWISE SPECIFIED | | | |
| DIMENSIONS ARE IN INCHES | | | |
| TOLERANCES UNLESS OTHERWISE SPECIFIED: | | | |
| FRACTIONS | DIMENSIONS | ANGLES | DATE |
| ± 1/32" | XX ± .030 ± .5" | | 1/18/72 |
| | XXX ± .005 | | |
| MATERIAL: | | | |
| SEE BILL OF MATERIALS | | | |
| ACTUAL WEIGHT (LBS) | SURFACE FINISH | TEMP. SCALE | PRODUCTION |
| 246.929 | | | |
| DO NOT SCALE DRAWING | DO NOT MANUALLY DIMENSION | SCALE | DATE FILED |
| | | 1:1 | 10/18/72 |

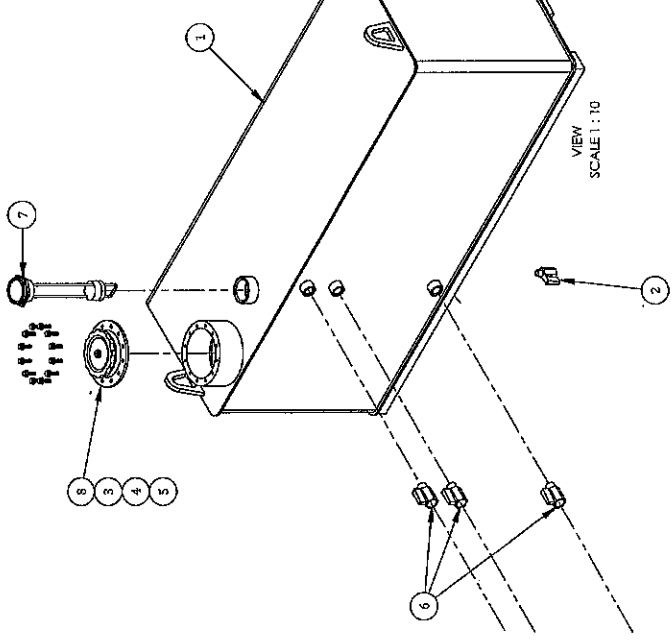
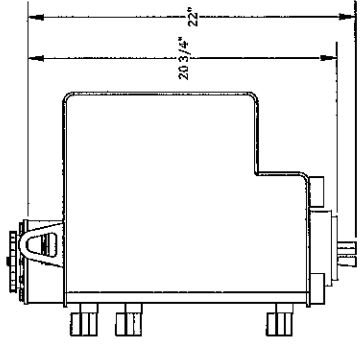
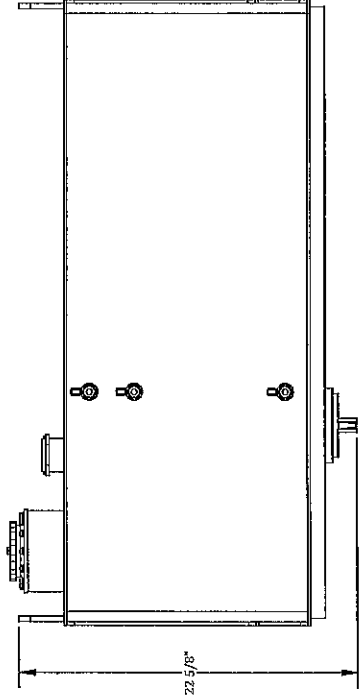
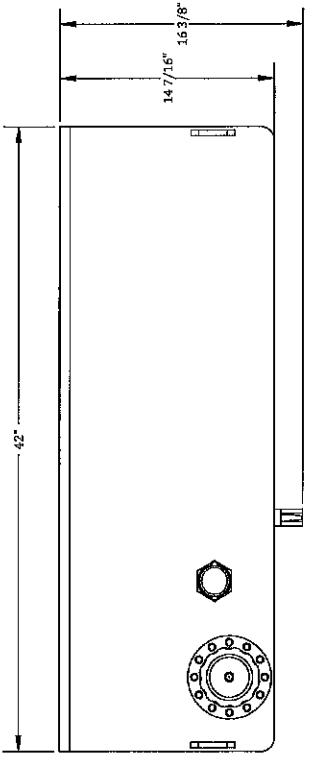
Barbico Inc.
 216 Park Plaza, Ste. 303
 Columbus, Ohio 43260
 Manufacturing Horizontal Earth Boring Machines
 Tunnel Equipment - Directional Drills - Tooling

HYDRAULIC RESERVOIR ASSEMBLY (44 GALLON)
 GEN 3, 36-650 ABM, T4

DATE: 10/18/72
 DRAWN BY: [Blank]
 CHECKED BY: [Blank]
 APPROVED BY: [Blank]

SCALE: 1:1

THIS DRAWING AND ALL INFORMATION THEREIN, FOR WHICH THESE MAY BE PATENT APPLICATIONS, IS UNCLASSIFIED AND IS THE PROPERTY OF BARBOCO. IT IS TO BE USED ONLY FOR THE PURPOSES SPECIFIED HEREIN. IT IS TO BE KEPT IN CONFIDENTIALITY AND NOT BE COPIED, REPRODUCED, OR DISCLOSED TO OTHER PARTIES, AND ONLY MAY BE USED WITH THE WRITTEN PERMISSION OF BARBOCO. THIS DRAWING IS NOT PUBLICALLY AVAILABLE AND MAY BE USED ONLY WITH WRITTEN PERMISSION, AND ALL COPIES SHALL BE RETURNED UPON REQUEST.



VIEW
SCALE 1 : 10

| ITEM NO. | PART NUMBER | DESCRIPTION | QTY. |
|----------|-------------|---------------------------------------|------|
| 8 | 90729-001 | FUEL/RESERVOIR CAP ASSY (VENTING MOD) | 1 |
| 7 | 90469-011 | FUEL GAUGE, 12" DEEP TANKS | 1 |
| 6 | 90298-018 | MINIATURE CHROME BALL VALVE, 1/2" | 3 |
| 5 | 90202-003 | FLAT WASHER, 1/4" S&S GR8 ZP | 12 |
| 4 | 90202-002 | LOCK WASHER, 1/4" GEN. PURPOSE ZP | 12 |
| 3 | 90200-004 | HEX-HEAD SCREW, 1/4-20UNC, 1" LG, GR8 | 12 |
| 2 | 15122 | MINIATURE CHROME BALL VALVE | 1 |
| 1 | 16811-063 | FUEL TANK WELDMENT | 1 |

Barbco Inc.
 Manufacturing Rotational Earth Boring Machines
 7100 Equipment - Jalcourt Drive - Fostoria
 East Canton, Ohio 44730

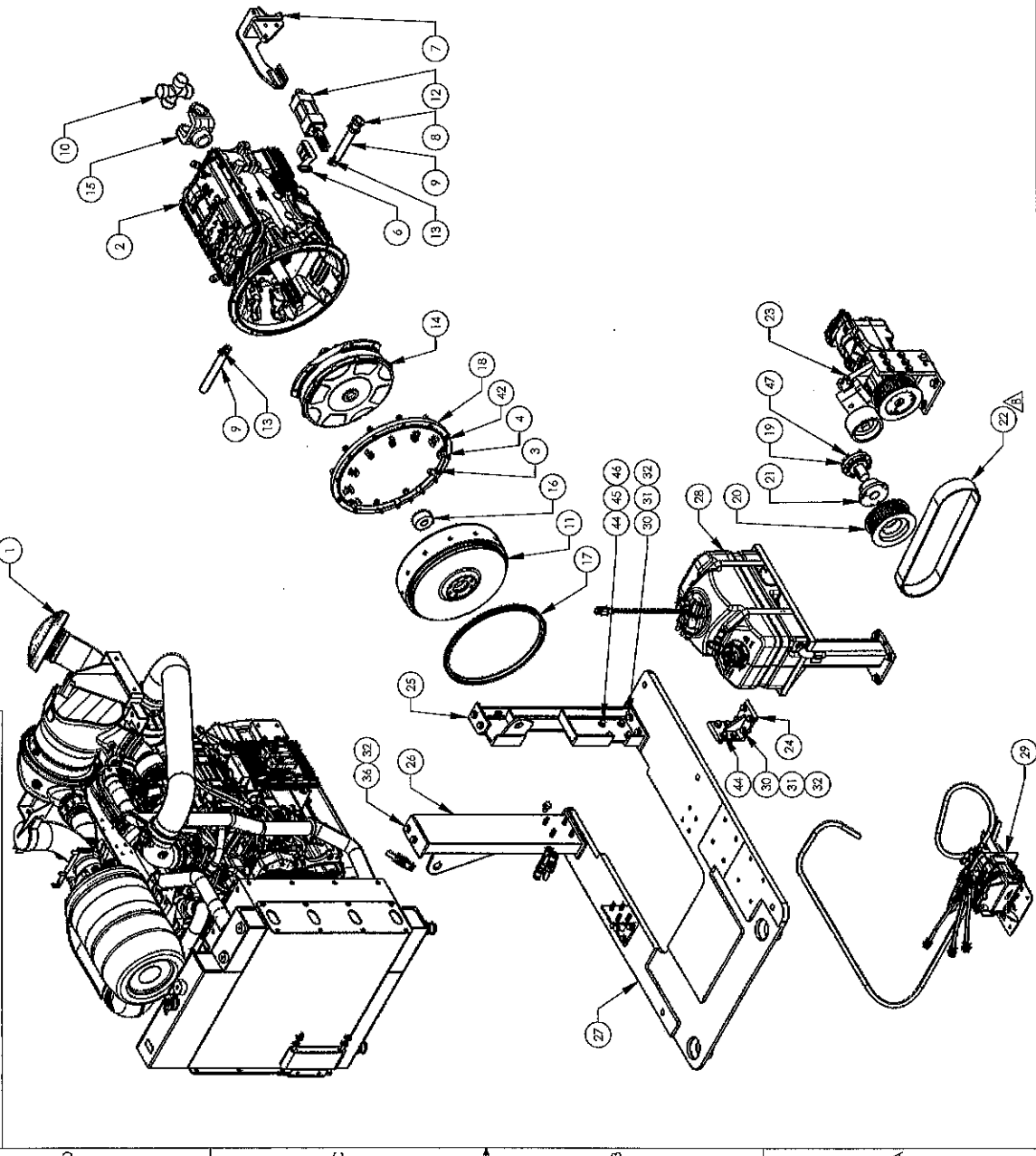
FUEL TANK ASSEMBLY (36 GALLON)
 36-650 POWERSPACK ASSEMBLY
 GEN 3, 36-650 ABM, T4

UNLESS OTHERWISE SPECIFIED:
 DIMENSIONS ARE IN INCHES
 TOLERANCES UNLESS INDICATED:
 FRACTIONS .0005 ± .0005
 DECIMALS .0005 ± .0005
 ANGLES .0005 ± .0005
 SURFACE FINISH: 241 S10
 DO NOT SCALE DRAWING
 DO NOT SCALE DIMENSIONS
 DO NOT MANUALLY IMPROVE

DATE: 3/27/22
 DRAWN: [blank]
 CHECKED: [blank]
 APPROVAL: [blank]

TEMP. ANGLE: B
 PRODUCED: B
 SIZE: 16811-045
 CAT FILE: 1681-045
 SCALE: 1:10
 SHEET: 1 OF 1

THIS DRAWING AND ALL INFORMATION THEREIN, FOR WHICH THERE MAY BE PATENT APPLICATIONS PENDING, ARE THE EXCLUSIVE PROPERTY OF BARCO INC. AND ARE TO BE USED ONLY FOR THE MANUFACTURE, REPAIR, OR MAINTENANCE OF THE EQUIPMENT IDENTIFIED HEREIN. NO PARTS OR COMPONENTS MAY BE COPIED, REPRODUCED, OR DISCLOSED TO OTHER PARTIES, AND NO PARTS LIST MAY BE USED FOR THE MANUFACTURE OF EQUIPMENT NOT IDENTIFIED HEREIN. THE DRAWING IS NOT TO BE USED FOR REPAIR OR MAINTENANCE OF EQUIPMENT UNLESS THE PARTS LIST IS ACCOMPANIED BY A PARTS MANUAL. ALL RIGHTS ARE RESERVED. COPIES SHALL BE RETURNED UPON REQUEST.



| REV. | DESCRIPTION | DATE | APPROVED |
|------|--------------------------------------|-----------|----------|
| A | REMOVED 16500-047 AND 9110012 QTY. 2 | 4/21/2022 | BAB |
| B | 15523-3008 REPLACED 15523-139 | 5/10/2022 | DVW |

| ITEM NO. | PART NUMBER | DESCRIPTION | QTY. |
|----------|-------------|--|------|
| 49 | 90289-018 | MINIATURE CHROME BALL VALVE, 1/2" | 1 |
| 50 | 90289-005 | 1/2" PPE ELBOW, FEMALE, 1/2" | 1 |
| 46 | 90603-042 | MALE PIPE ADAPTER, SAE INT. 1.51-1/2" ODF | 1 |
| 47 | 90601-001 | SCREW HEAD SCREW, MID-1.25, 3/8" DIA, LG. 1.29 | 5 |
| 44 | 90622-003 | FLAT WASHER, 1/2" DIA, 10.9 | 16 |
| 45 | 90622-002 | LOCK WASHER, 1/2" DIA, GRN, PURPOSE | 16 |
| 44 | 90622-001 | HEX HEAD SCREW, M12, 1.75, 60MM LG., 10.9 | 16 |
| 43 | 90622-001 | LOCK WASHER, M10, 1.5, 50MM LG., 10.9 | 12 |
| 42 | 90661-004 | SOCKET HEAD SCREW, M10-1.5, 50MM LG., 12.9 | 12 |
| 41 | 90220-007 | HEAD HEX SCREW, 5/16-18UNC., 1-1/2" LG., GR8 | 2 |
| 40 | 90222-001 | HEX NUT, 5/16-18, GR8, 1P | 2 |
| 39 | 90222-003 | 5/16 FEA WASHER, SAE CRUDE, R, 2P | 4 |
| 38 | 90222-001 | LOCK WASHER, 5/16" GRN, PURPOSE, 2P | 2 |
| 37 | 90283-001 | HEX NUT, 1/2-13 GR8 | 4 |
| 36 | 90285-001 | HEX HEAD SCREW, 1/2-13UNC., 1 1/2" LG., GR8 | 4 |
| 35 | 90222-003 | LOCK WASHER, 5/16" SAE GR8, 2P | 4 |
| 34 | 90222-001 | LOCK WASHER, 5/16" REG | 4 |
| 33 | 90220-007 | HEX HEAD SCREW, 5/8-11UNC., 1 3/4" LG., GR8 | 4 |
| 32 | 90222-008 | FLAT WASHER, 1/2" SAE GR8, 2P | 24 |
| 31 | 90222-004 | LOCK WASHER, 1/2" REG, 2P | 20 |
| 30 | 90283-002 | HEX HEAD SCREW, 1/2-13UNC., 1 1/4" LG., GR8 | 16 |
| 29 | 16812-046 | DIFF PUMP ASSEMBLY | 1 |
| 28 | 16812-049 | DIFF TANK MOUNT ASSEMBLY | 1 |
| 27 | 16812-044 | DRIVE ASSEMBLY PLATE WELDMENT | 1 |
| 26 | 16812-043 | SUPPORT LEGS WELDMENT | 1 |
| 25 | 16812-041 | SUPPORT LEGS WELDMENT | 1 |
| 24 | 16812-042 | MOTOR MOUNT WELDMENT, JOHN DEERE | 2 |
| 23 | 15523-3008 | PUMP MOUNT ASSEMBLY, DRUID 3.4L W/ BELT | 1 |
| 22 | 15523-3008 | FLAT DRIVE BELT, 58MM X 14MM, 34MM LG | 1 |
| 21 | 15523-138 | GD BUSHING, 3F, 1.50 BORE | 1 |
| 20 | 15523-137 | HIGH TORQUE DRIVE BELT SPROCKET, 38TOOTH | 1 |
| 19 | 15523-137 | ENGINE CRANK OUTPUT SHAFT | 1 |
| 18 | 15523-194 | SPACER, SAE P2 OUTPUT FLANGE | 1 |
| 17 | 15523-195 | R/WHEEL STARTER BING GEAR, 20 40ASHC006 | 1 |
| 16 | 15523-171 | PILOT BEARING-SINGLE ROLL DOUBLE SEALED | 1 |
| 15 | 7050227 | END YOKE | 1 |
| 14 | 7050095 | 1.6 TWIN DISK CLUTCH ASSEMBLY | 1 |
| 13 | 16721 | 8462 TANNY YOKE WASHER | 2 |
| 12 | 7110047 | CTL-HYD. 1.5 BORE X 3/16 ROD X 1 1/2 STROKE | 1 |
| 11 | 16812-000 | R/WHEEL JOHN DEERE 40ASHC006 4.5L | 1 |
| 10 | 7050220 | YOKE CROSS | 1 |
| 9 | 2170279 | CLUTCH SHIFTER | 2 |
| 8 | 9110012 | COLLAR, H-P-C, CLAMP-ON | 2 |
| 7 | 1060093 | HYDRAULIC CLUTCH CYLINDER WELDMENT | 1 |
| 6 | 1060094 | SENSOR BRACKET WELDMENT | 1 |
| 5 | 2180197 | CYLINDER ROD CLIPS | 1 |
| 4 | 7050226 | DRIVE PIN | 12 |
| 3 | 90244-035 | SET SCREW-HAUSER COP, 3/8-16, 1/2 LG. | 12 |
| 2 | 7000064 | 685 TRANSMISSION, 5 SPEED W/ REV | 1 |
| 1 | 15523-194 | JOHN DEERE 45L14 ENGINE | 1 |

| | | | |
|----------|-------------|--|------|
| ITEM NO. | PART NUMBER | DESCRIPTION | QTY. |
| 1 | 15523-194 | JOHN DEERE 45L14 ENGINE | 1 |
| 2 | 7000064 | 685 TRANSMISSION, 5 SPEED W/ REV | 1 |
| 3 | 90244-035 | SET SCREW-HAUSER COP, 3/8-16, 1/2 LG. | 12 |
| 4 | 7050226 | DRIVE PIN | 12 |
| 5 | 2180197 | CYLINDER ROD CLIPS | 1 |
| 6 | 1060094 | SENSOR BRACKET WELDMENT | 1 |
| 7 | 1060093 | HYDRAULIC CLUTCH CYLINDER WELDMENT | 1 |
| 8 | 9110012 | COLLAR, H-P-C, CLAMP-ON | 2 |
| 9 | 2170279 | CLUTCH SHIFTER | 2 |
| 10 | 7050220 | YOKE CROSS | 1 |
| 11 | 16812-000 | R/WHEEL JOHN DEERE 40ASHC006 4.5L | 1 |
| 12 | 7110047 | CTL-HYD. 1.5 BORE X 3/16 ROD X 1 1/2 STROKE | 1 |
| 13 | 7050095 | 1.6 TWIN DISK CLUTCH ASSEMBLY | 1 |
| 14 | 7050227 | END YOKE | 1 |
| 15 | 15523-171 | PILOT BEARING-SINGLE ROLL DOUBLE SEALED | 1 |
| 16 | 15523-195 | R/WHEEL STARTER BING GEAR, 20 40ASHC006 | 1 |
| 17 | 15523-194 | SPACER, SAE P2 OUTPUT FLANGE | 1 |
| 18 | 15523-137 | ENGINE CRANK OUTPUT SHAFT | 1 |
| 19 | 15523-137 | HIGH TORQUE DRIVE BELT SPROCKET, 38TOOTH | 1 |
| 20 | 15523-138 | GD BUSHING, 3F, 1.50 BORE | 1 |
| 21 | 15523-3008 | FLAT DRIVE BELT, 58MM X 14MM, 34MM LG | 1 |
| 22 | 15523-3008 | MOTOR MOUNT WELDMENT, JOHN DEERE | 2 |
| 23 | 15523-3008 | PUMP MOUNT ASSEMBLY, DRUID 3.4L W/ BELT | 1 |
| 24 | 16812-042 | SUPPORT LEGS WELDMENT | 1 |
| 25 | 16812-041 | SUPPORT LEGS WELDMENT | 1 |
| 26 | 16812-043 | DRIVE ASSEMBLY PLATE WELDMENT | 1 |
| 27 | 16812-049 | DIFF TANK MOUNT ASSEMBLY | 1 |
| 28 | 16812-046 | DIFF PUMP ASSEMBLY | 1 |
| 29 | 90283-002 | HEX HEAD SCREW, 1/2-13UNC., 1 1/4" LG., GR8 | 16 |
| 30 | 90222-004 | LOCK WASHER, 1/2" REG, 2P | 20 |
| 31 | 90222-001 | LOCK WASHER, 5/16" GRN, PURPOSE, 2P | 4 |
| 32 | 90222-003 | LOCK WASHER, 5/16" SAE GR8, 2P | 4 |
| 33 | 90220-007 | HEX HEAD SCREW, 5/8-11UNC., 1 3/4" LG., GR8 | 4 |
| 34 | 90222-001 | LOCK WASHER, 5/16" REG | 4 |
| 35 | 90222-003 | LOCK WASHER, 5/16" SAE GR8, 2P | 4 |
| 36 | 90285-001 | HEX HEAD SCREW, 1/2-13UNC., 1 1/2" LG., GR8 | 4 |
| 37 | 90283-001 | HEX NUT, 1/2-13 GR8 | 4 |
| 38 | 90222-001 | LOCK WASHER, 5/16" GRN, PURPOSE, 2P | 2 |
| 39 | 90222-003 | 5/16 FEA WASHER, SAE CRUDE, R, 2P | 4 |
| 40 | 90222-001 | HEX NUT, 5/16-18, GR8, 1P | 2 |
| 41 | 90220-007 | HEAD HEX SCREW, 5/16-18UNC., 1-1/2" LG., GR8 | 2 |
| 42 | 90661-004 | SOCKET HEAD SCREW, M10-1.5, 50MM LG., 12.9 | 12 |
| 43 | 90622-001 | LOCK WASHER, M10, 1.5, 50MM LG., 10.9 | 12 |
| 44 | 90622-001 | HEX HEAD SCREW, M12, 1.75, 60MM LG., 10.9 | 16 |
| 45 | 90622-002 | LOCK WASHER, 1/2" DIA, GRN, PURPOSE | 16 |
| 46 | 90603-042 | MALE PIPE ADAPTER, SAE INT. 1.51-1/2" ODF | 1 |
| 47 | 90601-001 | SCREW HEAD SCREW, MID-1.25, 3/8" DIA, LG. 1.29 | 5 |
| 48 | 90603-042 | MALE PIPE ADAPTER, SAE INT. 1.51-1/2" ODF | 1 |
| 49 | 90289-005 | 1/2" PPE ELBOW, FEMALE, 1/2" | 1 |
| 50 | 90289-018 | MINIATURE CHROME BALL VALVE, 1/2" | 1 |

Barco Inc.
 315 Park Drive SE
 Manufacturing Horizontal Banding Machine
 14000 Equipment - Professional Drive - Bowling
 East Canton, Ohio 44720

JOHN DEERE DRIVE LINE ASSEMBLY
 48-950 POWERPACK ASSEMBLY
 GRN 3, 48-950 ABM, T4

DATE: 3/17/22
 DRAWN: JAB
 CHECKED: JAB

SCALE: 1:16
 CAD FILE: 16812-043

NO INTERSCALE DRAWING
 DO NOT MANUALLY UPDATE

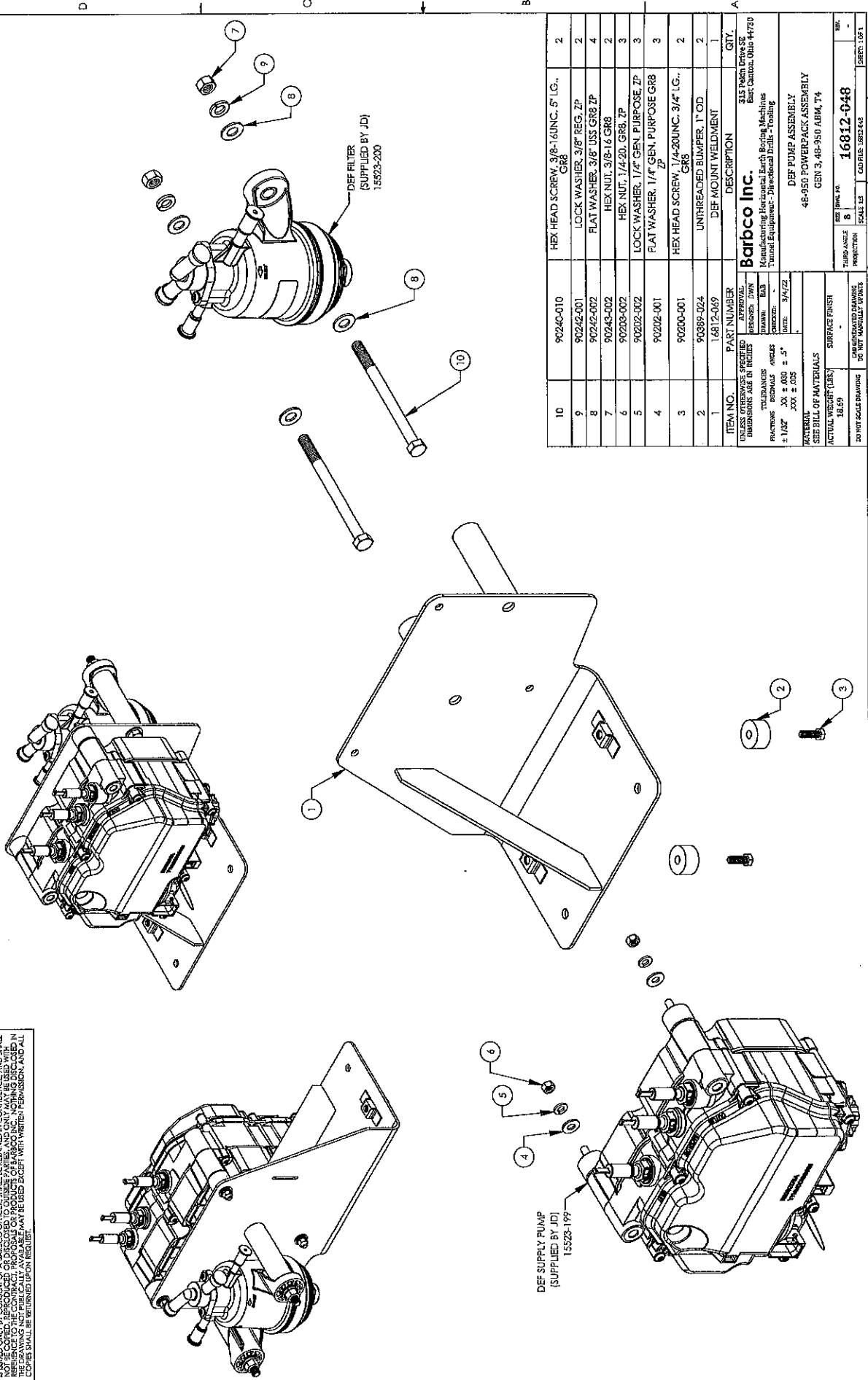
APPROVAL: JAB
 DATE: 3/17/22

SURFACE FINISH

UNLESS OTHERWISE SPECIFIED:
 DIMENSIONS ARE IN INCHES
 TOLERANCES:
 FRACTIONS: .001, .002, .005, .010, .015, .030, .060, .125
 DECIMALS: .001, .002, .005, .010, .015, .030, .060, .125
 ANGLES: .001, .002, .005, .010, .015, .030, .060, .125

SEE BILL OF MATERIALS

THE DRAWING AND ALL INFORMATION THEREIN, FOR WHICH THERE MAY BE PATENT APPLICATIONS, ARE THE PROPERTY OF BARBICO INC. AND ARE TO BE USED ONLY BY THE USER TO WHOM IT IS ISSUED AND NOT TO BE REPRODUCED, COPIED, OR DISCLOSED TO OTHER PARTIES, AND ONLY MAY BE USED WITHIN THE SCOPE OF THE CONTRACT UNDER WHICH IT WAS ISSUED. THE DRAWING NOT PUBLICLY AVAILABLE MAY BE USED EXCEPT WITH WRITTEN PERMISSION AND ALL COPIES SHALL BE RETURNED UPON REQUEST.



| ITEM NO. | PART NUMBER | DESCRIPTION | QTY. |
|----------|-------------|--|------|
| 10 | 90240-010 | HEX HEAD SCREW, 3/8-16UNC, 5" LG., GR8 | 2 |
| 9 | 90242-001 | LOCK WASHER, 3/8" REG. ZP | 2 |
| 8 | 90242-002 | FLAT WASHER, 3/8" USS GR8 ZP | 4 |
| 7 | 90243-002 | HEX NUT, 3/8-16 GR8 | 2 |
| 6 | 90203-002 | HEX NUT, 1/4-20, GR8, ZP | 3 |
| 5 | 90202-002 | LOCK WASHER, 1/4" GEN. PURPOSE GR8 ZP | 3 |
| 4 | 90202-001 | FLAT WASHER, 1/4" GEN. PURPOSE GR8 ZP | 3 |
| 3 | 90200-001 | HEX HEAD SCREW, 1/4-20UNC, 3/4" LG., GR8 | 2 |
| 2 | 90389-024 | UNTHREADED BUMPER, 1" OD | 2 |
| 1 | 14812-049 | DEF MOUNT WELDMENT | 1 |

Barbico Inc.
 315 Palm Drive SE
 East Canton, Ohio 44720
 Manufacturing - Mechanical, Earth Building Machinery
 Trained Equipment - Directional Drilling - Trenching

DEF PUMP ASSEMBLY
 48-950 POWERPACK ASSEMBLY
 GEN 3, 48-950 ABM, T4

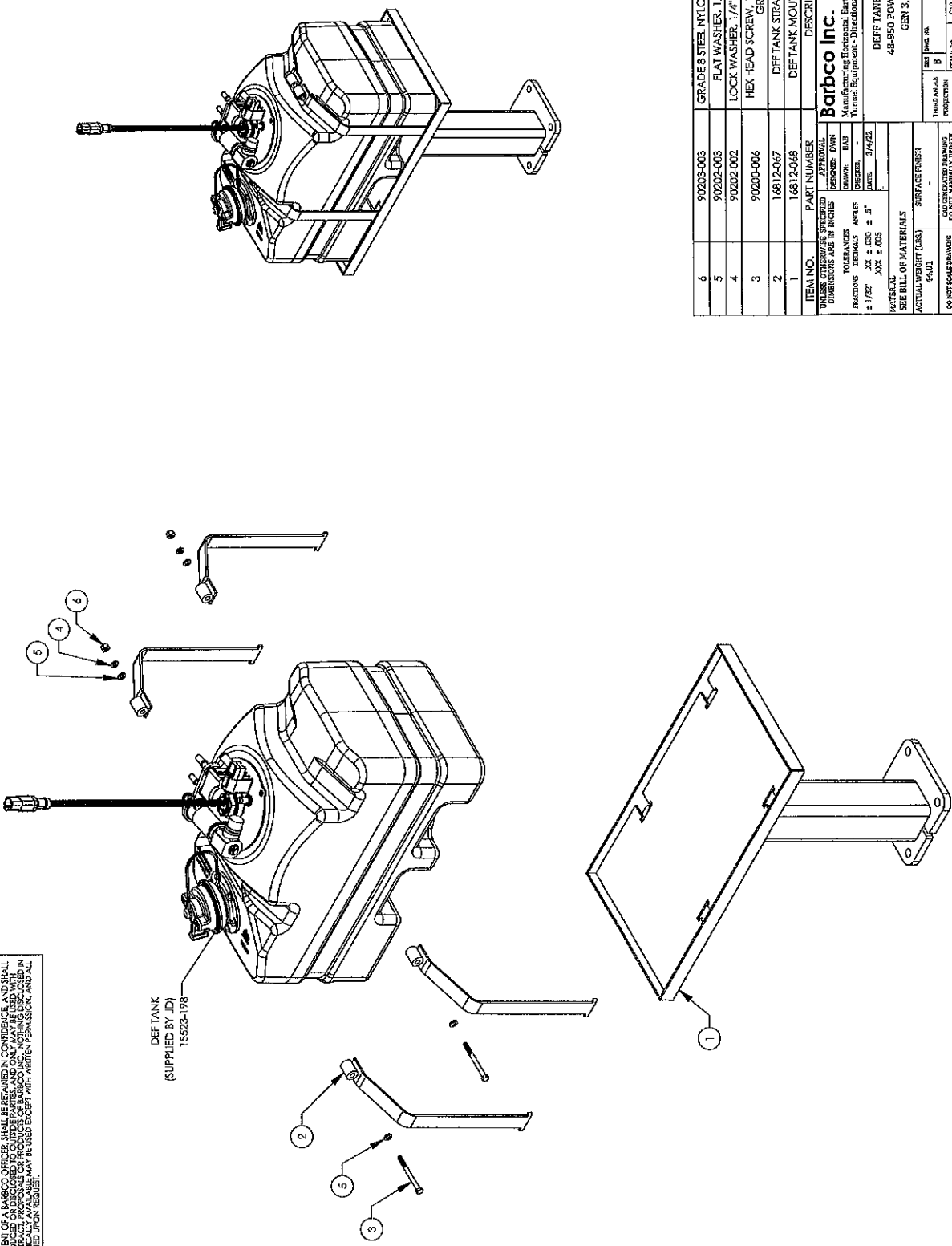
DATE: 3/17/22
 DRAWN BY: [blank]
 CHECKED BY: [blank]
 APPROVED BY: [blank]

TURBO-PRICE: 8
 TURBO-PRICE PREMIUM: 8
 SCALE: 1:1
 PART NO.: 16812-048
 CAD FILE: 16812-048

DO NOT SCALE DRAWING
 UNLESS OTHERWISE SPECIFIED
 DIMENSIONS ARE IN INCHES
 FINISHES: UNLESS OTHERWISE SPECIFIED
 SURFACE FINISH: UNLESS OTHERWISE SPECIFIED
 ACTUAL WEIGHT (GROSS): 18.69
 UNLESS OTHERWISE SPECIFIED, DIMENSIONS ARE IN INCHES
 FINISHES: UNLESS OTHERWISE SPECIFIED
 SURFACE FINISH: UNLESS OTHERWISE SPECIFIED
 ACTUAL WEIGHT (GROSS): 18.69
 DO NOT SCALE DRAWING
 UNLESS OTHERWISE SPECIFIED
 DIMENSIONS ARE IN INCHES
 FINISHES: UNLESS OTHERWISE SPECIFIED
 SURFACE FINISH: UNLESS OTHERWISE SPECIFIED
 ACTUAL WEIGHT (GROSS): 18.69

THIS DRAWING AND ALL INFORMATION HEREON, FOR WHICH THERE MAY BE PATENT APPLICATIONS PENDING, ARE THE EXCLUSIVE PROPERTY OF BARBARCO INC. AND ARE TO BE USED IN CONNECTION WITH THE DEF TANK AND DEF TANK MOUNT ASSEMBLY. NO PARTS OF THIS DRAWING ARE TO BE REPRODUCED OR DISCLOSED TO OUTSIDE PARTIES, AND ONLY MAY BE USED WITH THE PERMISSION OF BARBARCO INC. THIS DRAWING IS NOT TO BE USED FOR REPRODUCTION OF ANY PARTS OR COMPONENTS UNLESS SPECIFICALLY NOTED OTHERWISE. ALL DIMENSIONS AND TOLERANCES SHALL BE RETURNED UPON REQUEST.

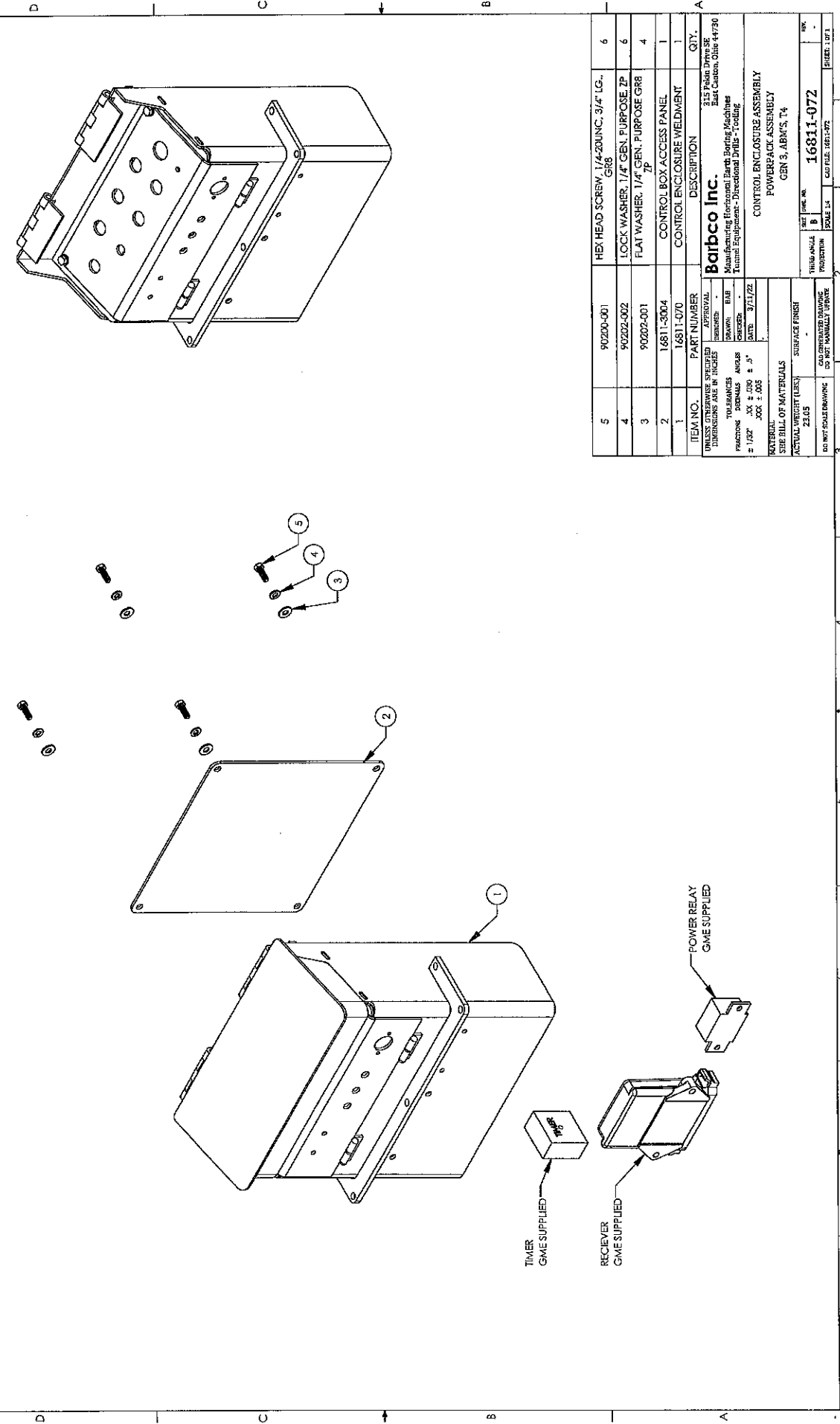
DEF TANK
(SUPPLIED BY JID)
15523-178



| ITEM NO. | PART NUMBER | DESCRIPTION | QTY. |
|----------|-------------|---|------|
| 6 | 90203-003 | GRADE 8 STEEL NYLON-INSERT LOCKNUT | 2 |
| 5 | 90202-003 | FLAT WASHER, 1/4" SAE GR8 ZP | 4 |
| 4 | 90202-002 | LOCK WASHER, 1/4" GEN. PURPOSE, ZP | 2 |
| 3 | 90200-006 | HEX HEAD SCREW, 1/4"-20UNC, 3" LG., GR8 | 2 |
| 2 | 16812-067 | DEF TANK STRAP WELDMENT | 4 |
| 1 | 16812-068 | DEF TANK MOUNT WELDMENT | 1 |

| | | | |
|---|--|--|--|
| Barbarco Inc. | | 315 Fabrik Drive SE East Canton, Ohio 44720 | |
| Manufacturing: Toronopol Barco Boring Machine | | Normal Equipment - Pressureless Dies - Tooling | |
| TOLERANCES UNLESS OTHERWISE SPECIFIED | | APPROVAL | |
| DIMENSIONS ARE IN INCHES | | DESIGNED: DWB | |
| FRACTIONS: FRACTIONS ARE AS SHOWN | | DRAWN: DWB | |
| DECIMALS: .0005 ± .0005 | | CHECKED: DWB | |
| TOLERANCES: .0005 ± .0005 | | DATE: 3/4/23 | |
| MATERIALS: SEE BILL OF MATERIALS | | SURFACE FINISH | |
| ACTUAL WEIGHT (LBS): | | 44.01 | |
| DO NOT SCALE DRAWING | | CSD SPECIFIED DIMENSIONS DO NOT MANUALLY DIMENSION | |
| THERM ANALYSIS | | SCALE: 3/8" | |
| PROJECTION | | SCALE: 3/8" | |
| DRAWING NO. | | 16812-049 | |
| SHEET NO. | | SHEET 1 OF 1 | |

THIS DRAWING AND ALL INFORMATION THEREIN, FOR WHICH THERE MAY BE PATENT APPLICATIONS PENDING, ARE THE EXCLUSIVE PROPERTY OF BARBICO INC. ANY COPY OF THE DRAWING OR INFORMATION THEREIN, IN WHOLE OR IN PART, IS TO BE KEPT CONFIDENTIAL AND NOT REPRODUCED, REPRODUCED OR DISCLOSED TO OTHERS PARTIES, AND ONLY MAY BE USED WITH REFERENCE TO THE CONTRACT. PERSONS OR FIRMS OF BARBICO INC. NOTION INVENTORS AND ALL RIGHTS SHALL BE RETURNED UPON REQUEST. ALL PARTS MUST BE ORDERED FROM BARBICO INC.



| ITEM NO. | PART NUMBER | DESCRIPTION | QTY. |
|----------|-------------|--|------|
| 5 | 90200-001 | HEX HEAD SCREW, 1/4-20UNC, 3/4" LG., GR8 | 6 |
| 4 | 90202-002 | LOCK WASHER, 1/4" GEN. PURPOSE ZP | 6 |
| 3 | 90202-001 | FLAT WASHER, 1/4" GEN. PURPOSE GR8 ZP | 4 |
| 2 | 14811-3004 | CONTROL BOX ACCESS PANEL | 1 |
| 1 | 14811-070 | CONTROL ENCLOSURE WELDMENT | 1 |

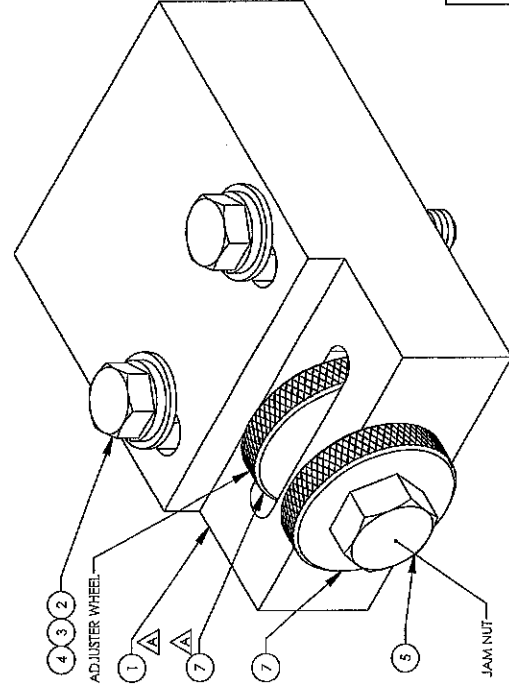
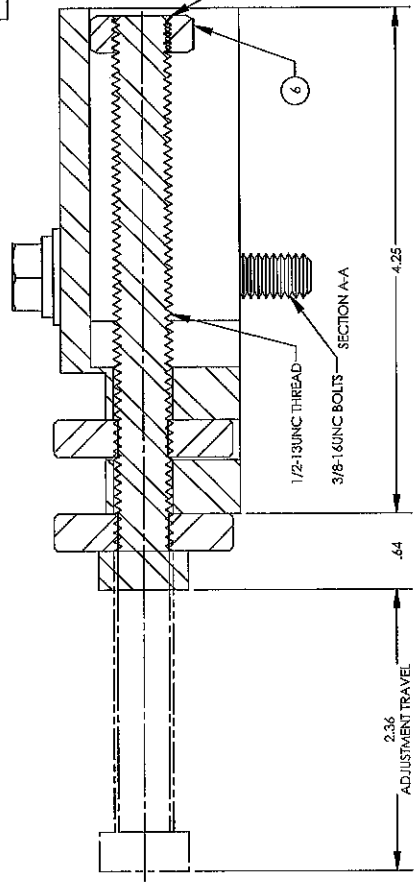
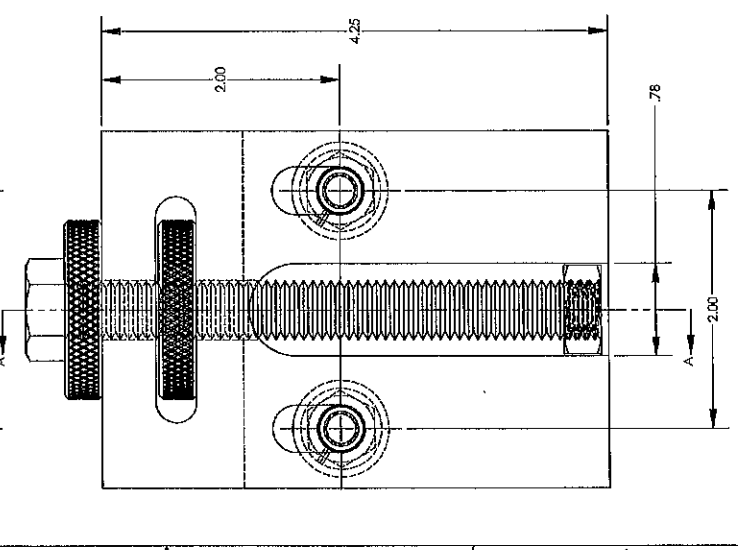
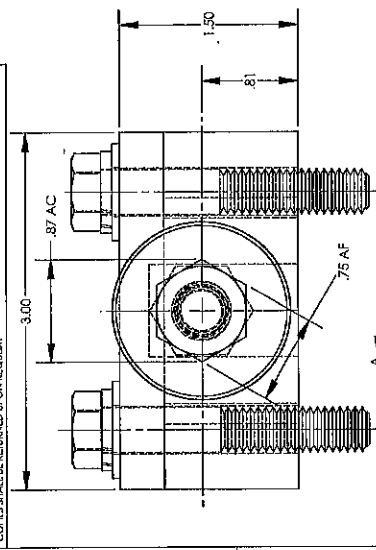
| | | | |
|----------------------------|--|----------------|-------------------------|
| UNLESS OTHERWISE SPECIFIED | | APPROVAL | 315 Fabco Drive |
| DIMENSIONS ARE IN INCHES | | Drawn: BAF | East Canton, Ohio 44730 |
| TOLERANCES | | Checked: BAF | |
| FRACTIONS | | DATE: 9/11/72 | |
| ± 1/32" | | | |
| XX ± .005 & .010" | | | |
| XXX ± .005 | | | |
| MATERIAL | | | |
| SEE BILL OF MATERIALS | | | |
| ACTUAL WEIGHT (LBS.) | | SURFACE FINISH | |
| 23.05 | | | |
| DO NOT SCALE DRAWING | | THIS ANGLE | |
| DO NOT MANUALLY UPDATE | | PROJECTION | |
| | | SCALE | 1:1 |
| | | DATE | 16811-072 |
| | | REV. | |
| | | SHEET | 1 OF 1 |
| | | CAD FILE | 16811-072 |

TIMER
GAME SUPPLIED

RECEIVER
GAME SUPPLIED

POWER RELAY
GAME SUPPLIED

THIS DRAWING AND ALL INFORMATION THEREIN FOR WHICH THERE MAY BE PATENT APPLICATIONS ARE THE EXCLUSIVE PROPERTY OF BARIBCO INC. ANY COPY OF THE DRAWING OR INFORMATION THEREIN IS TO BE KEPT CONFIDENTIAL AND NOT TO BE REPRODUCED, COPIED, OR DISCLOSED TO OUTSIDE PARTIES, AND ONLY MAY BE USED WITH REFERENCE TO THE CONTRACT, PROPOSAL OR PRODUCTS OF BARIBCO INC. NOTHING DISCLOSED IN THIS DRAWING OR INFORMATION THEREIN MAY BE USED BY ANY OTHER PERSON OR ENTITY, AND ALL COPIES SHALL BE RETURNED UPON REQUEST.



AFTER ASSEMBLY,
ALL SURFACES
SHALL BE STAINLESS STEEL MATERIAL

| REVISIONS | | | |
|-----------|---|-----------|----------|
| REV. | DESCRIPTION | DATE | APPROVED |
| A | REPLACED 90289-023 W/ 90289-024; REVISED 15529-507 | 10/2/2019 | SR |
| B | REVISED 15529-507 | 7/20/2020 | RLW |

| ITEM NO. | PART NUMBER | DESCRIPTION | QTY. |
|----------|-------------|---|------|
| 7 | 90289-024 | SS KNURLED KNOB, 1/2-13UNC THRU | 2 |
| 6 | 90283-009 | SS THIN HEX NUT, 1/2-13UNC | 1 |
| 5 | 90280-015 | SS CAP SCREW, 1/2-13UNC-X-1 1/2" LONG | 1 |
| 4 | 90242-002 | FLAT WASHER, 3/8" USS GR8 ZP | 2 |
| 3 | 90242-001 | LOCK WASHER, 3/8" REG. ZP | 2 |
| 2 | 90240-018 | HEX HEAD SCREW, 3/8-16UNC, 2 1/4" LG, GR8 | 2 |
| 1 | 15529-507 | THRUST HANDLE LIMIT ASSEMBLY BLOCK | 1 |

UNLESS OTHERWISE SPECIFIED
DIMENSIONS ARE IN INCHES

TOLERANCES
FRACTIONS .XX
DECIMALS .XXX
ANGLES .001
HOLE DIA .001
TAP DIA .001
SEE BOM

ACTUAL WEIGHT (LBS)
4.49

DO NOT SCALE DRAWING
DO NOT MANUALLY WRITE

APPROVAL
DESIGNER: TWR
CHECKED: [Signature]
DATE: 09/17/2018

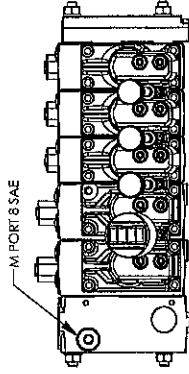
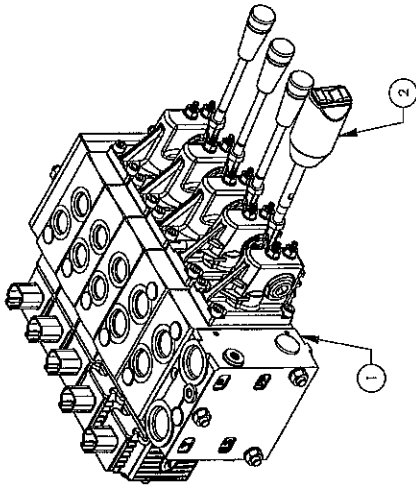
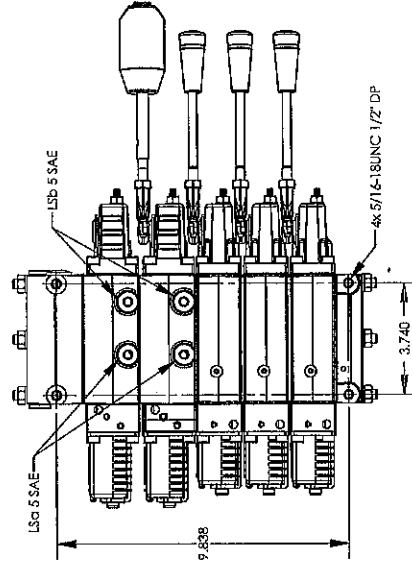
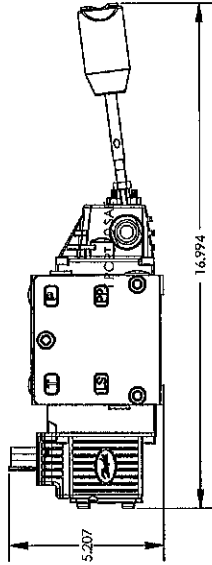
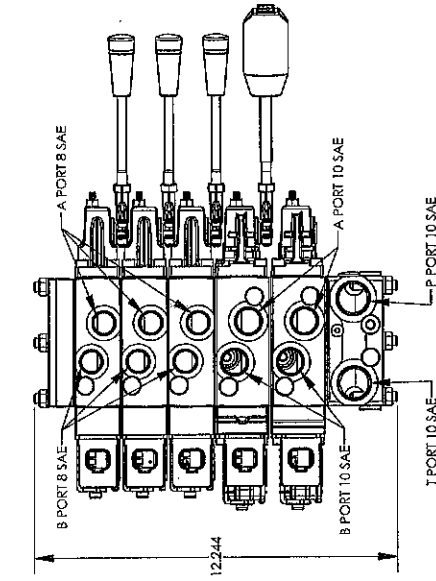
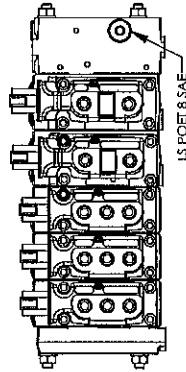
Baribco Inc.
Manufacturing Horizontal Bank Pallet Machine
Nutritional Equipment - Precastall Drills - Tooling

THRUST HANDLE LIMIT ASSEMBLY

ABM'S, T4

SIZE: [Blank] PART NO: 15529-069
THRU SCALE: B
SCALE: 1:1
SHEET: 1 OF 1

THIS DRAWING AND ALL INFORMATION HEREIN, FOR WHICH THERE MAY BE PATENT APPLICATIONS PENDING, ARE THE EXCLUSIVE PROPERTY OF BARBICO INC. ANY COPY OF THIS DRAWING OR INFORMATION HEREIN, IN WHOLE OR IN PART, IS UNLAWFUL TO BE REPRODUCED, COPIED, REPRODUCED OR DISCLOSED TO THIRD PARTIES AND ONLY MAY BE USED WITH REFERENCE TO THE CONTRACT, AGREEMENT OR ORDER FROM WHICH THIS DRAWING OR INFORMATION WAS OBTAINED. ANY UNAUTHORIZED REPRODUCTION OR DISCLOSURE OF THIS DRAWING OR INFORMATION TO ANY OTHER PARTY WITHOUT THE WRITTEN PERMISSION OF BARBICO INC. IS STRICTLY PROHIBITED. ALL DIMENSIONS SHALL BE DETERMINED TO CONFORM.



| | | | |
|--|------------|--|------|
| 2 | 16900-3002 | DIR. VALVE GRIP SWITCH HANDLE ASSY. | 1 |
| 1 | 16900-2002 | DIR. CONTROL VALVE - 36-650 THRU 72-1200 | 1 |
| ITEM NO. PART NUMBER | | DESCRIPTION | QTY. |
| UNLESS OTHERWISE SPECIFIED DIMENSIONS ARE IN INCHES | | | |
| TOLERANCES | | | |
| FRACTIONS | | | |
| DECIMALS | | | |
| ANGLES | | | |
| HOLE POSITION | | | |
| HOLE DIA. | | | |
| HOLE DIA. TYP. | | | |
| DATE: 12/24/2002 | | | |
| MATERIAL | | | |
| SEE BOM | | | |
| ACTUAL WEIGHT (LBS) | | | |
| SUBFACE FINISH | | | |
| SIZE | | | |
| FINISH | | | |
| FINISH RANGE | | | |
| DO NOT SCALE DRAWING | | | |
| DO NOT MANUALLY EDIT | | | |
| SCALE: 1:1 | | | |
| PART NO. 16900-2005 | | | |
| COP. FILE: 16900-2005 | | | |
| SHEET: 1 OF 1 | | | |

Barbico Inc.
 215 Peain Drive SE
 East Canton, Ohio 44730
 Manufacturing Horizontal Bench Presses, Machines
 Vertical Expander - Shredders
 DIR. CONTROL VALVE ASSY. - 36-650 THRU 72-1200
 ABM T3 GEN III

