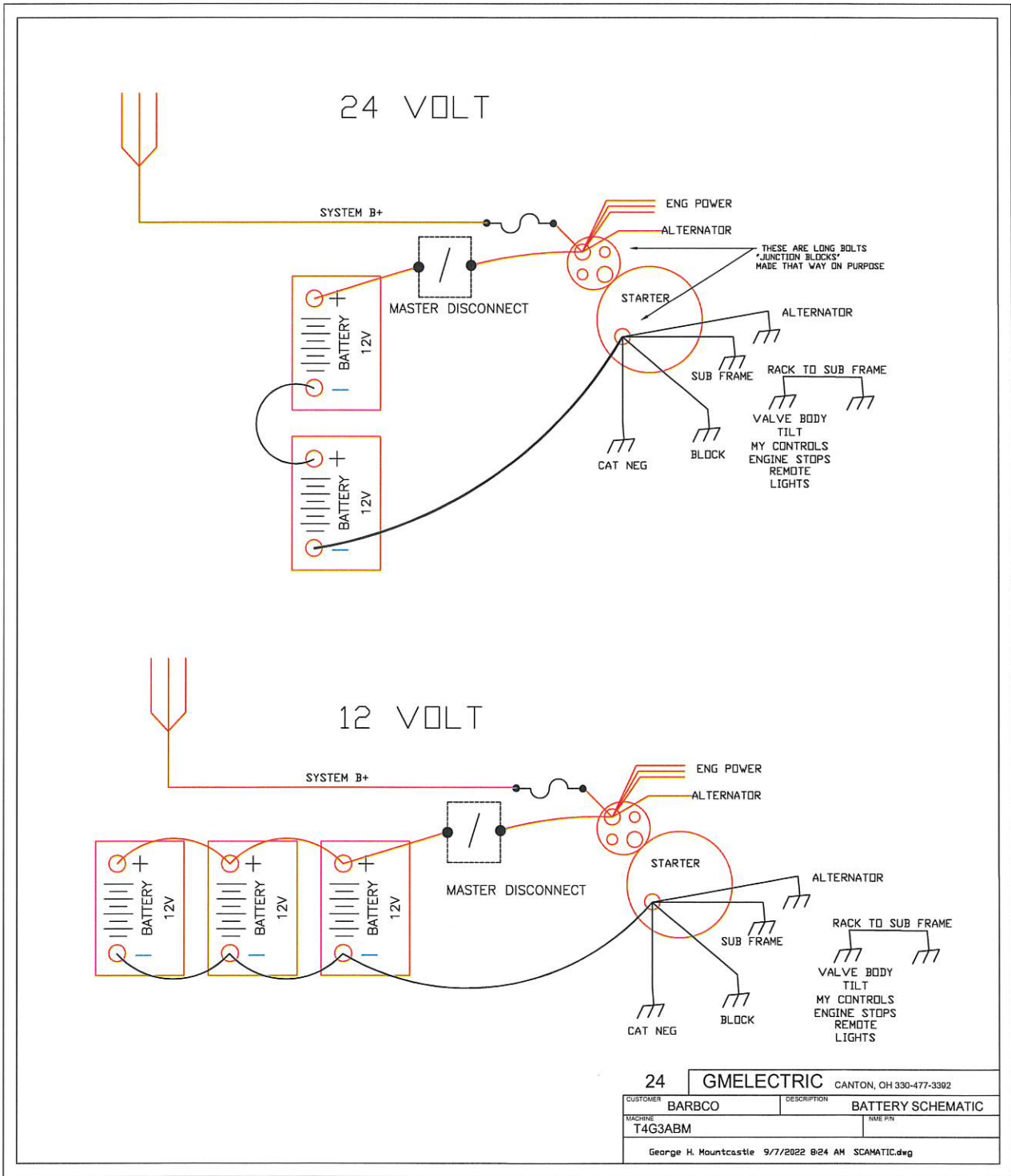
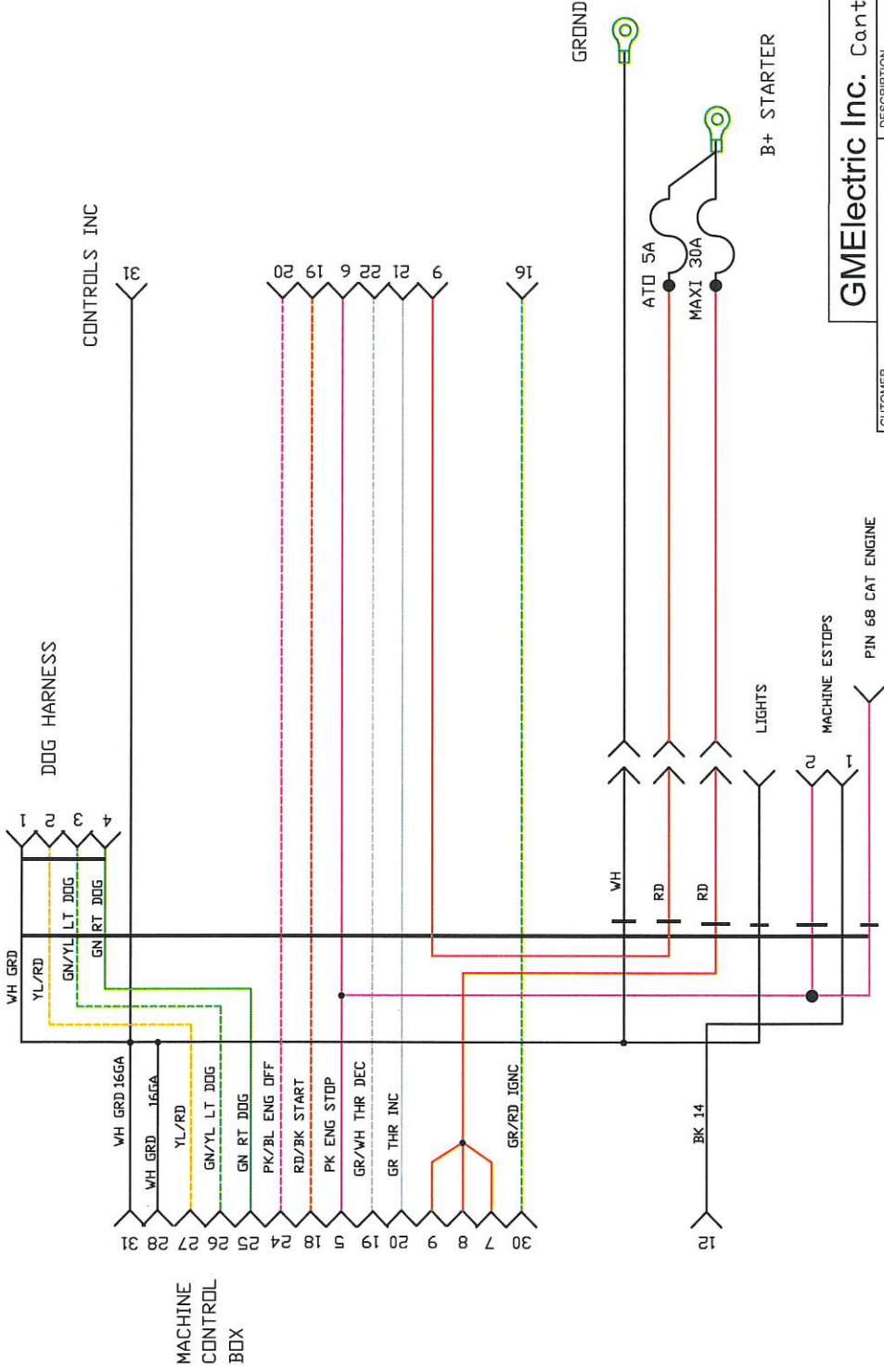
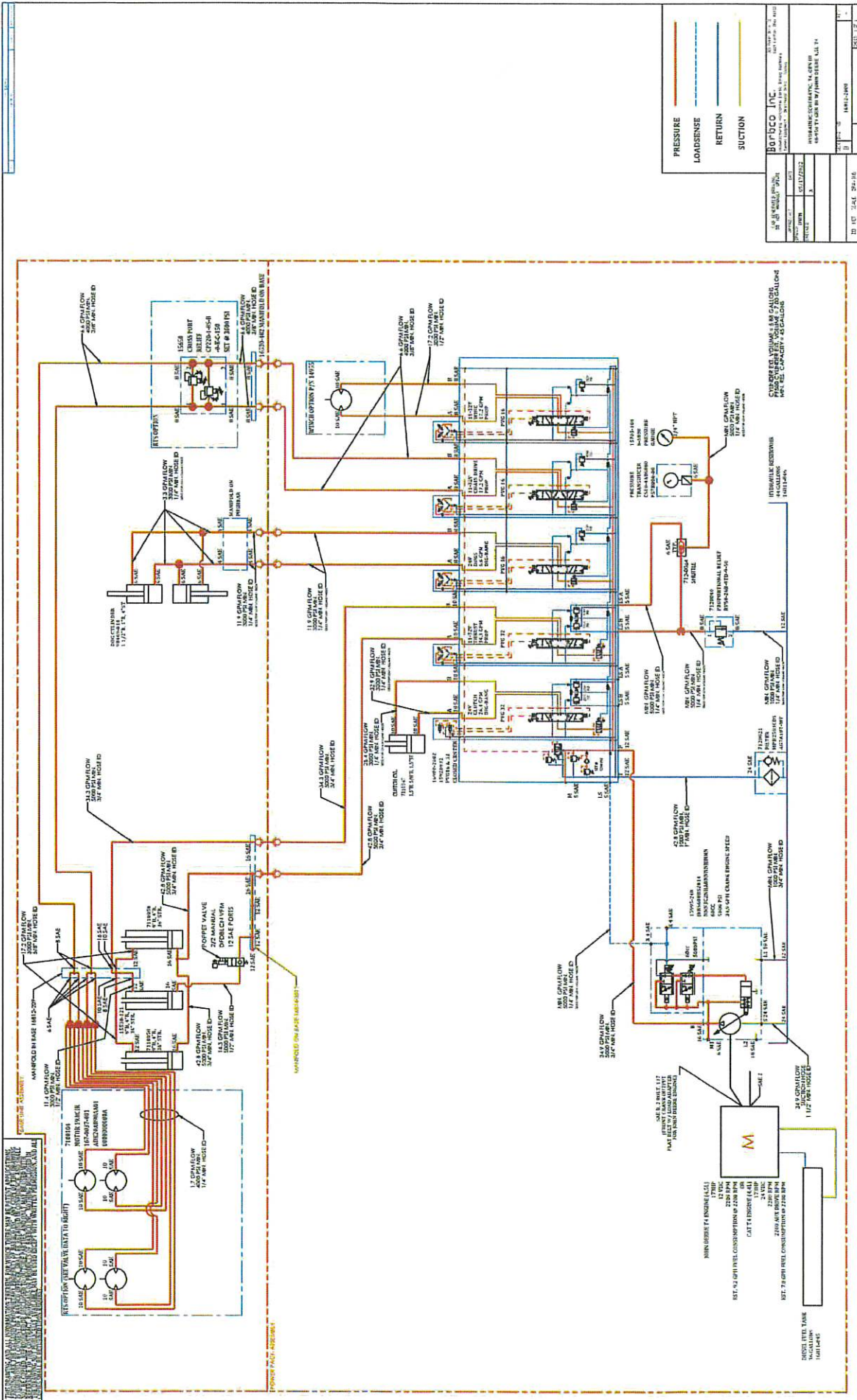


| | |
|---|-----------|
| 32 GMElectric Inc. Canton, Ohio 3304773392 | |
| CUSTOMER | BARBCO |
| MACHINE | T4G3 ABM |
| DESCRIPTION | SCHEMATIC |
| George H. Mountcastle 9/7/2022 8:24 AM SCAMATIC.dwg | |





| | |
|--|-----------------------|
| GMElectric Inc. Canton, Ohio 3304773392 | |
| CUSTOMER | BARBCO |
| MACHINE | T4G3 ABM |
| DESCRIPTION | ENGINE INTERFACE |
| | NME P/N 600-020483001 |
| George H. Mountcastle 9/7/2022 9:13 AM engineinter.dwg | |



| | | | |
|---|---|---|--|
| <p>LEGEND</p> <p>— PRESSURE</p> <p>- - - LOADSENSE</p> <p>— RETURN</p> <p>- - - SUCTION</p> | <p>BOFUCO INC.</p> <p>1000 W. 10TH ST. SUITE 100 DENVER, CO 80202</p> <p>TEL: 303.733.1111 FAX: 303.733.1112</p> <p>WWW.BOFUCO.COM</p> | <p>PROJECT</p> <p>1.000000</p> <p>DATE</p> <p>05/17/2012</p> <p>REV</p> <p>1</p> | <p>SCALE</p> <p>AS SHOWN</p> <p>BY</p> <p>J. J. BROWN</p> <p>CHECKED BY</p> <p>M. J. BROWN</p> <p>DATE</p> <p>05/17/2012</p> |
|---|---|---|--|

ENGINEER JAMES M. BROWN
DESIGNER JAMES M. BROWN
CHECKER JAMES M. BROWN

REVISIONS

1. CHANGE TO 1.5 GPM FLOW
 2. CHANGE TO 1.5 GPM FLOW
 3. CHANGE TO 1.5 GPM FLOW

COMPONENTS

1. 1.5 GPM FLOW
 2. 1.5 GPM FLOW
 3. 1.5 GPM FLOW

NOTES

1. ALL FLOWS ARE IN GPM
 2. ALL PRESSURES ARE IN PSI
 3. ALL TEMPERATURES ARE IN °F

REVISIONS

1. CHANGE TO 1.5 GPM FLOW
 2. CHANGE TO 1.5 GPM FLOW
 3. CHANGE TO 1.5 GPM FLOW

COMPONENTS

1. 1.5 GPM FLOW
 2. 1.5 GPM FLOW
 3. 1.5 GPM FLOW

NOTES

1. ALL FLOWS ARE IN GPM
 2. ALL PRESSURES ARE IN PSI
 3. ALL TEMPERATURES ARE IN °F