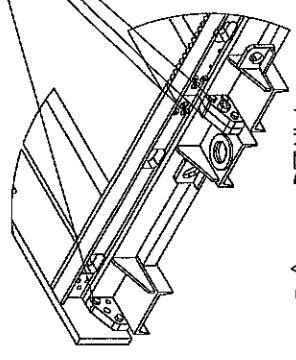


THIS DRAWING AND ALL INFORMATION THEREON FOR WHICH THERE MAY BE PATENT APPLICATIONS PENDING ARE THE EXCLUSIVE PROPERTY OF BARBARCO INC. NO PART OF THIS DRAWING SHALL BE REPRODUCED OR TRANSMITTED IN ANY FORM OR BY ANY MEANS, ELECTRONIC OR MECHANICAL, INCLUDING PHOTOCOPYING, RECORDING, OR BY ANY INFORMATION STORAGE AND RETRIEVAL SYSTEM, WITHOUT THE WRITTEN PERMISSION OF BARBARCO INC. THIS DRAWING IS NOT TO BE USED FOR CONSTRUCTION OF ANY EQUIPMENT UNLESS THE DRAWING IS SPECIFICALLY AVAILABLE TO BE USED SUBJECT TO WRITTEN PERMISSION AND ALL RIGHTS SHALL BE RETURNED UPON REQUEST.

- HARDWARE**
- (1) 3/4" - 10 UNC X 2" LG. HEX BOLTS - 90846-0031
 - (2) 3/4" - 10 UNC X 1 3/4" LG. FLAT HEAD SCREWS - 90846-0011
 - (3) 3/4" - 10 UNC HEX NUT - 90846-0011
 - (4) 3/4" - 10 UNC X 2" - 1/2" LG. HEX BOLTS - 90846-0110
- REPRESENTS QTY. NEEDED TO SECURE ALL SECTIONS TOGETHER.

(*) BOLTS ONLY UTILIZED TO SECURE THE PUSH PLATE TO THE PIP WELDMENT.
FLAT HEAD SCREWS NEEDED TO SECURE WEDGE BLOCKS TO TRACK.



REV.	DESCRIPTION	DATE	APPROVED
A	REVISED 16550-104 & 16550-108. ADDED MAN. NOTE	8/24/2021	MRH

ITEM NO.	PART NUMBER	DESCRIPTION	QTY.
3	16550-167	PUSH PLATE WELDMENT	1
2	16550-108	TRK SEC ASSY - GEAR RAIL	3
1	16550-104	3 PIP ASSY - ABM, T4 MACH. RAIL	1

UNLESS OTHERWISE SPECIFIED:		APPROVAL	DATE
DRAWING	DESIGNED BY	 Mark A. Barbo Mechanical Design Engineer	8/24/2021
DATE	CHECKED BY		
ISSUE	DESIGNED BY		
DATE	CHECKED BY		

MATERIAL		TRACK ASSY - GEAR RACK
48-950 & 96-650 ABM, T4		

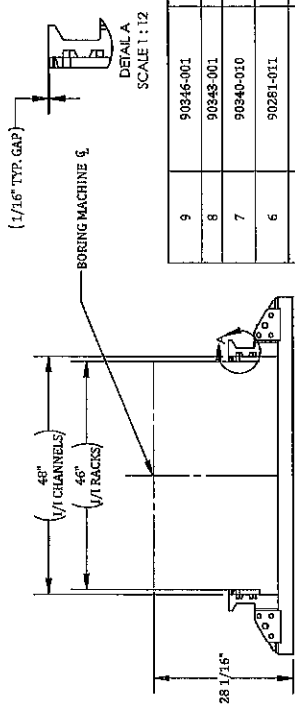
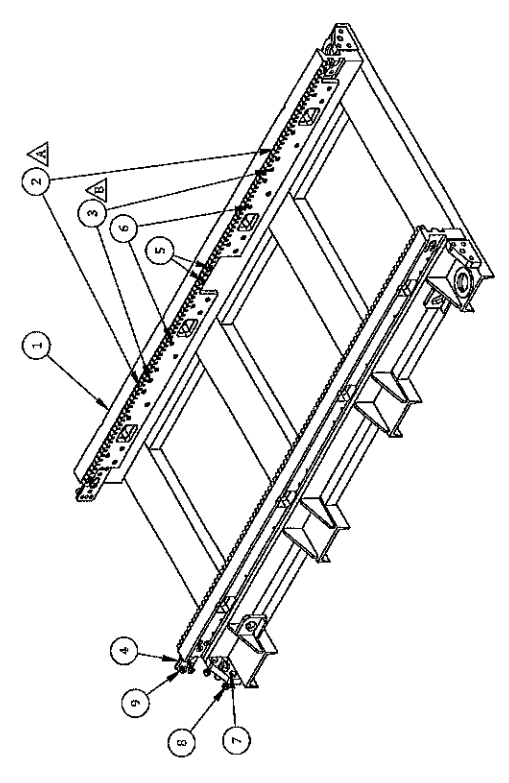
ACTUAL WEIGHT (LBS)	THEORY WEIGHT (LBS)	DESCRIPTION	QTY.
10870.77		TRACK ASSY - GEAR RACK	1

DO NOT SCALE DRAWING	DATE	BY	APP. NO.
DO NOT MANUALLY UPDATE	10/8/20		

REV.	DESCRIPTION	DATE	APPROVED
A	16550-106	8/24/2021	MRH

THIS DRAWING AND ALL INFORMATION THEREIN FOR WHICH THESE MAY BE PATENT APPLICATIONS
 PENDING ARE THE EXCLUSIVE PROPERTY OF BARBOCO INC. ANY COPIES OF THIS DRAWING
 OR INFORMATION CONTAINED HEREIN OR DISCLOSED TO OUTSIDE PARTIES AND OR THAT BE USED WITH
 OR WITHOUT THE WRITTEN PERMISSION OF BARBOCO INC. SHALL BE RETURNED TO BARBOCO INC. AND ALL
 COPIES SHALL BE RETURNED UPON REQUEST.

REV.	DESCRIPTION	DATE	APPROVED
A	REVISED 16550-599 & 16550-165, ADDED MAN. NOTES	8/24/2021	MRH
B	REPLACED 90348-002 WITH 16550-620	11/23/2021	MRH



ITEM NO.	PART NUMBER	DESCRIPTION	QTY.
9	90346-001	FLAT HEAD, 3/4-10UNC, 1 3/4" LG, 120K FS, BO	12
8	90348-001	HEX NUT, 3/4-10UNC, GR8	6
7	90340-010	HEX HEAD SCREW, 3/4-10UNC, 4" LG, GR8 ZP	6
6	90281-011	SOCKET HEAD SCREW, 1/2-13UNC, 1 1/4" LG, GR8	48
5	90241-003	SOCKET HEAD SCREW, 3/8-16UNC, 1 1/4" LG, GR8	8
4	16209-235	WEDGE BLOCK	2
3	16550-620	7/8" x 1 1/2" DOWEL	4
2	16550-599	5" GEAR RACK SECTION	4
1	16550-165	10" TRC SEC. W/DMIT.	1

Barbco Inc.
 Manufacturing Horizontal Bore Boring Machines
 Tunnels Equipment - Directional Drills - Tooling

APPROVAL: _____
 DESIGNED: MRB
 DRAWN: MBT
 CHECKED: NIS
 DATE: 4/14/2021

TOLERANCES: DIMENSIONS ARE IN INCHES
 DECIMALS: .0005 ± .0005
 FRACTIONS: XX ± .0005 ± .5"
 ANGLES: .0005 ± .0005

UNLESS OTHERWISE SPECIFIED, APPROVAL: _____
 DIMENSIONS ARE IN INCHES
 DECIMALS: .0005 ± .0005
 FRACTIONS: XX ± .0005 ± .5"
 ANGLES: .0005 ± .0005

DATE: 4/14/2021

315 Field Drive SE
 East Canton, Ohio 44730

TRC SEC. ASSY. GEAR RAIL
 48-950 & 36-650 ARM, TK.

SCALE: 1:12

DATE: 8/24/2021

REV. 16550-108

DATE: 11/23/2021

SCALE: 1:12

DATE: 8/24/2021

